

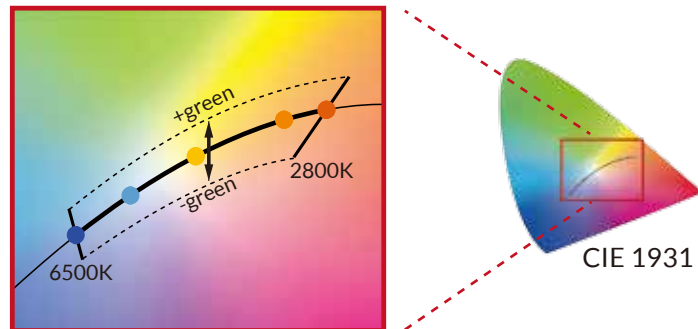
FEATURES

- 5" Zoom Fresnel lens with beam range of 12° - 35°
- DMX controllable (3-channels: intensity, CCT, hue)
- Dims to 0% without flicker or color shift
- 2800-6500K continuous CCT tuning
- High CRI values at every color temperature
- ±0.25 green adjustment
- Precise color calibration for consistent quality
- 300W tungsten output (85W draw)
- Less than 8" of clearance required
- Designed for use with standard pipe-clamps
- Lightweight (less than 4 lbs with AC power cable)
- Integrated power supply

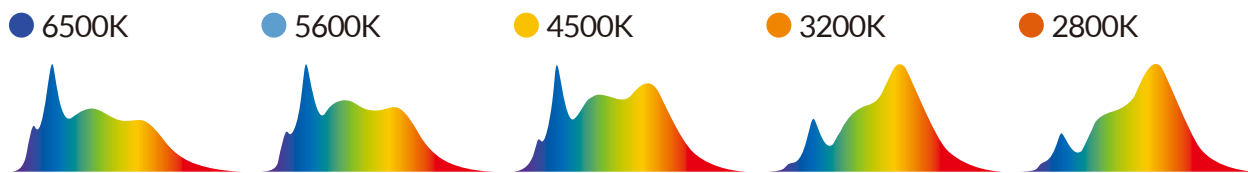


COMPREHENSIVE COLOR CALIBRATION

ensures cinema-caliber precision and light quality at all settings



MULTI-PHOSPHOR SPECTRUM for excellent color rendering



Industry-leading CRI scores on difficult color samples (R9, R12)

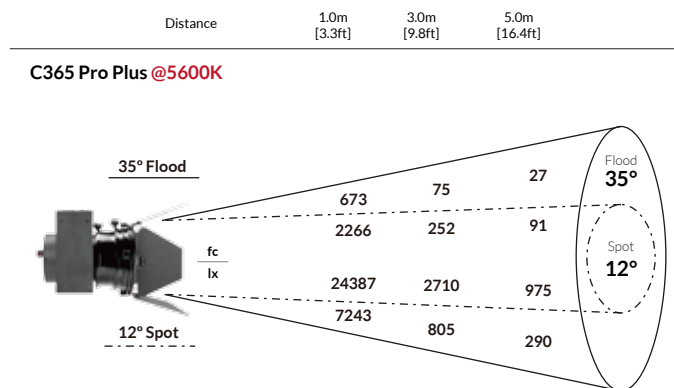
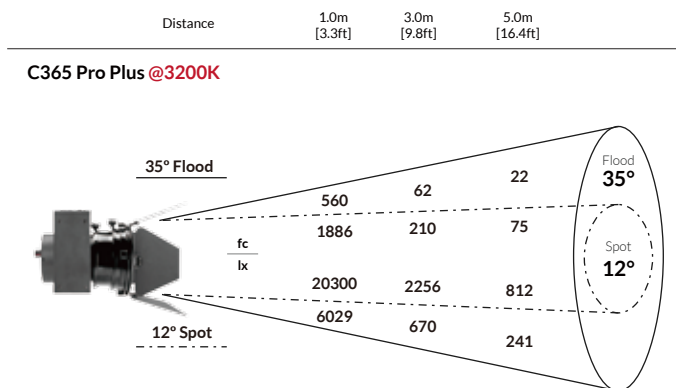
| CCT | R1 | R2 | R3 | R4 | R5 | R6 | R7 | R8 | R9 | R10 | R11 | R12 | R13 | R14 | R15 | CRI _{Ra} * | CRI _{Ext} * | TLCI |
|-------|----|----|----|----|----|----|----|----|----|-----|-----|-----|-----|-----|-----|---------------------|----------------------|------|
| 3200K | 99 | 99 | 95 | 98 | 98 | 98 | 98 | 97 | 94 | 94 | 98 | 87 | 99 | 96 | 98 | 98 | 96 | 98 |
| 5600K | 98 | 99 | 98 | 95 | 96 | 97 | 97 | 96 | 89 | 95 | 95 | 88 | 98 | 98 | 97 | 97 | 96 | 98 |
| 6500K | 98 | 99 | 98 | 96 | 97 | 98 | 97 | 97 | 96 | 97 | 97 | 88 | 98 | 99 | 96 | 97 | 97 | 98 |

Typical values shown.

*CRI_{Ra} is the averaged result of R1 to R8; CRI_{Ext} is the averaged value of R1 to R15.

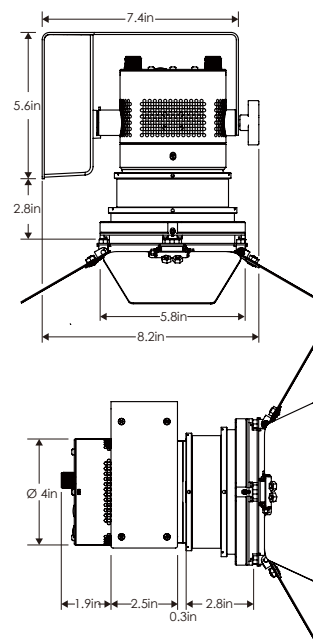
181220A2

PHOTOMETRIC DATA



SPECIFICATIONS

| | |
|------------------------|--|
| Fresnel Size | 5" Zoom Lens |
| Beam Angle | 12° - 35° |
| CCT Range | 2800 - 6500K Continuous Tuning |
| CRI | 97 Typical |
| Hue | ±0.25 Green |
| Dimming | 100% - 0% Flicker Free |
| Light Engine | Dense Matrix LED |
| Power Draw | 85W Max |
| AC Input | 120V AC, 60Hz |
| DMX Control | 3-CH (Intensity, CCT, Hue) via RJ45 Ports |
| Display Type | OLED |
| Weight | 4.4lbs / 2.0kg (With AC Cable) |
| Size (L x W x H) | 8.2in x 7.5in x 6.4in / 20.8cm x 19.1cm x 16.3cm |
| Mounting Hole Diameter | 0.5in |
| AC Cable Length | US: 10ft / 3m, International: 4.5ft / 1.4m |
| Thermal Design | Advanced Vapor Cooling System (Fan Cooled) |
| Acoustic Noise | 22.7dB (Professional Recording Studio Level) |
| Operating Temperature | 32° - 104° F / 0° - 40° C |



OPTIONAL ACCESSORIES



5" Gel Holder
TRA008