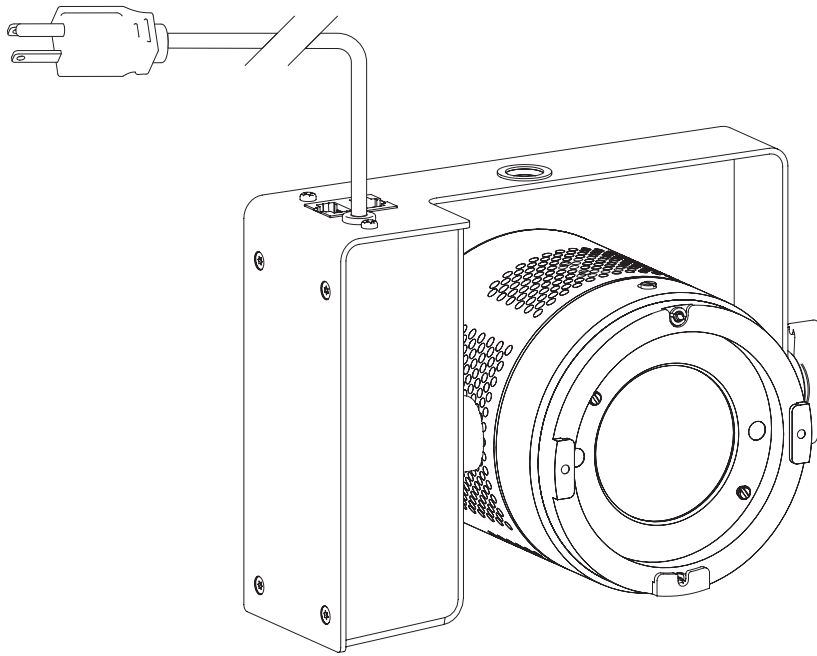


# Fiilex



## C360 Series

FLXC360 | FLXC365

User Manual

## General Notes

- The C360 Series has been designed for professional studio and location applications and may only be operated by qualified persons.
- Please read the following operating instructions very carefully before using this fixture.
- For your own safety, please follow all safety instructions and warnings.
- Keep these operating instructions for future reference.
- For further information, contact Fiilex (fiilex@fiilex.com) or your retailer.

## Basic Operation (refer to Parts Diagram on following page)

### • Mounting

The C360 Series can be installed with desired hanging/mounting hardware and can be hung onto secured rigs.

### • Powering On

The C360 Series comes with its own integrated Power Module Box (8). To supply a C360 Series fixture with power, plug the power cord into a power outlet. The fixture's OLED Display (19) will turn on once it is receiving power. The On/Off Button (15) can toggle the fixture's output on and off. Settings can still be adjusted while the switch is set to off.

### • Adjusting the Settings

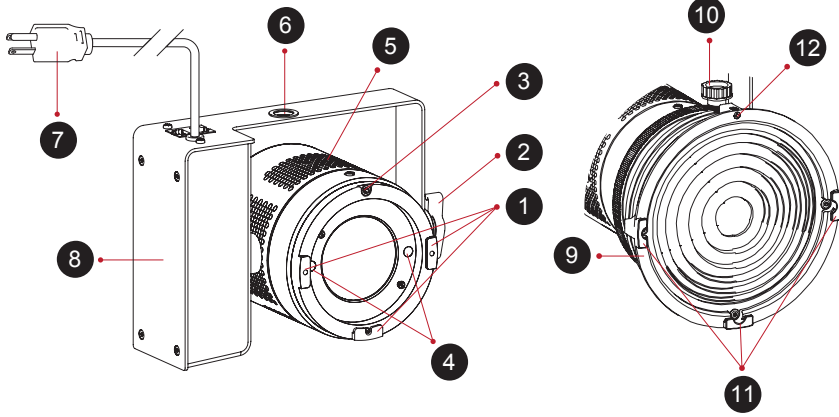
Use the Yoke Knobs (2) to lock the fixture's tilt position. Tighten the handle to secure.

### • DMX Interface

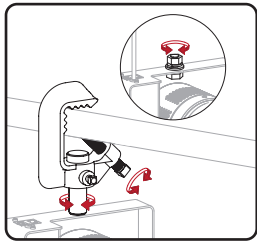
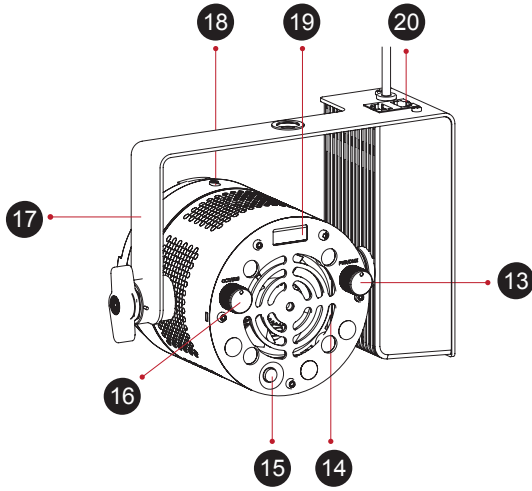
Both fixtures are also DMX512 compatible through RJ45 ports, allowing users to operate them remotely via the Fiilex DMX Controller or any standard DMX board.

Mode	On/Off Button Color	Description
Manual	Red/Green	Directly adjust the light's output via the control knobs. Press the On/Off Button to toggle the fixture's output on and off. Red: Light output off - Settings are still adjustable Green: Light output on
DMX	Orange	Control via DMX. Manual control knobs become disabled. DMX Mode activates automatically when a signal is detected.

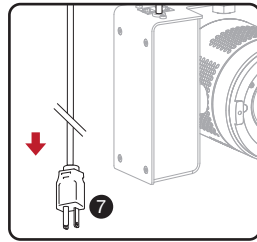
## Parts Diagram



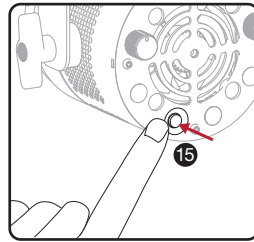
1. Barndoor Brackets
2. Yoke Knob
3. Barndoor Lock
4. Magnetic Accessory Lock
5. Side Vents
6. Size M12 Screw Receiver
7. Power Cord
8. Power Module Box
9. 5" Fresnel Zoom Lens (C365 only)
10. Lens Tighten Knobs (C365 only)
11. Barndoor Brackets (C365 only)
12. Barndoor Lock (C365 only)
13. Light Intensity / DMX Address Knob
14. Rear Vents
15. On / Off Button
16. CCT / Hue Tuning Knob
17. Yoke
18. Barndoor Lock Release
19. OLED Display
20. RJ45 In/Out



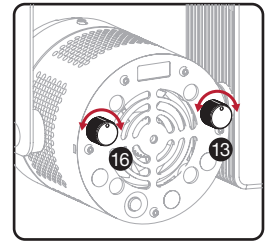
**Mounting the Light**  
Use the size M12 screw receiver on the C-Series yoke to attach the fixture to the desired hanging/mounting hardware.



**Plugging In**  
Plug the Power Cord into a power outlet.

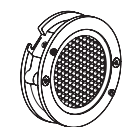


**Powering On**  
Press the On/Off button to turn on the light. The button will turn green to indicate that the light is on.

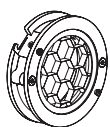


**Adjusting the Settings**  
Turn the knobs to adjust CCT, Hue and Intensity.

## Compatible Accessories



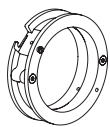
Honeycomb N



Honeycomb W



Louver



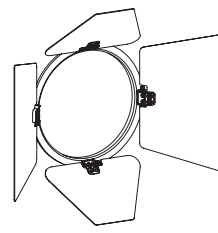
Snoot



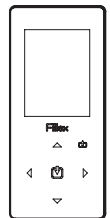
Fresnel Lens



Dome Diffuser

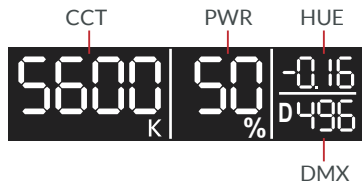


Size IV Barndoor



DMX Controller

## Rear Panel Interface Operation



Dial	Function	Range
CCT	Set color temperature	2800K - 6500K
PWR	Set intensity	100% - 0.1%
HUE	Set hue value	±0.25 Green
DMX	Set DMX address	1 - 510

### Assigning DMX Address:

#### DMX Address Setting Screen



1. Double click the Light Intensity / DMX Address Knob (13) to unlock DMX address setting screen on the OLED Display (19).
2. Rotate the knob to select desired base address (1-510).
3. Lock in setting by clicking knob once. Alternatively, the address will automatically lock in after 1 second of inactivity.

4. The C360 Series fixtures occupy three consecutive DMX channels for operation. For example, with a base DMX address of 50, the controls for intensity, CCT, and hue will correspond to DMX channels 50, 51, and 52 respectively.

- To adjust the fixture's DMX address via RDM, consult operating instructions for DMX/RDM control systems.

## Specifications

CCT Range	2800 - 6500K Continuous Tuning
Light Engine	Dense Matrix LED
Power Draw	85W Max
DC Input	N/A
AC Input	120V AC, 60Hz
DMX Ports	RJ45 (In & Out)
Weight (With Power Cable)	C360: 3.4lbs / 1.5kg   C365: 4.4lbs / 2.0kg
Size (L x W x H)	C360: 8.2in x 4.7in x 5.6in / 20.8cm x 11.9cm x 14.2cm
	C365: 8.2in x 7.5in x 6.4in / 20.8cm x 19.1cm x 16.3cm
Mounting Hole Diameter	0.5in
Thermal Design	Advanced Vapor Cooling System (Fan Cooled)
Operating Temperature	32 - 104°F / 0 - 40°C
IP Rating	IP-20
LED Lifetime	42,000 hours
Certifications	CE, UL, FCC

## Safety

- Do NOT attempt to disassemble the body of the C360 Series. Doing so will void the warranty.
- Do NOT submerge the C360 Series Fixtures in water.
- Do NOT cover/block the side and back air vents.
- Use only a soft, dry towel to gently clean the exterior of the light.
- Do NOT lift or suspend the light by the power cable.
- Do NOT use the C360 Series or accessories if they display any physical damage.
- Before first use, make sure to remove all protective membranes.
- Make sure to adhere to local building codes when designing and installing the C360 Series lighting systems.
- Do not install any luminaire assembly closer than 6 inches from any curtain, or similar combustible material.

## Warranty

Unless otherwise stated, your product is covered by a **one year parts and labor limited warranty**. Fiilex guarantees, to the original buyer, that this product is to be free of defects in both workmanship and material for a period of one year from the date of shipment. This warranty extends to all products which have proved defective through normal use but excludes products that have been disassembled, modified or misused by the buyer or any other person. This warranty is in lieu of all other warranties, and disclaims all warranties expressed or implied, including any warranty of merchantability, fitness for a particular purpose, or arising from the course of dealing between the parties or usage of trade.

### Returning an Item Under Warranty for Repair

It is necessary to obtain a Return Authorization Number (RA#) from your dealer/point of purchase BEFORE any units are returned for repair. Fiilex will make the final determination as to whether or not the unit is covered by warranty. Fiilex will replace or repair to proper working condition any products that are returned under warranty. Products repaired or replaced under warranty are under warranty only for the remaining unexpired period of time of the original warranty.

Any Product unit or part returned to Fiilex must be packaged in a suitable manner to ensure the protection of such Product unit or parts. The package must be clearly and prominently marked to indicate that the package contains returned product units or parts with a Return Authorization (RA#) number. All returned product units or parts must be accompanied by a written explanation of the alleged problem or malfunction.



[www.fiilex.com](http://www.fiilex.com)

1689 Regatta Blvd. Richmond, CA 94804  
| (510) 620-5155 | [fiilex@fiilex.com](mailto:fiilex@fiilex.com)