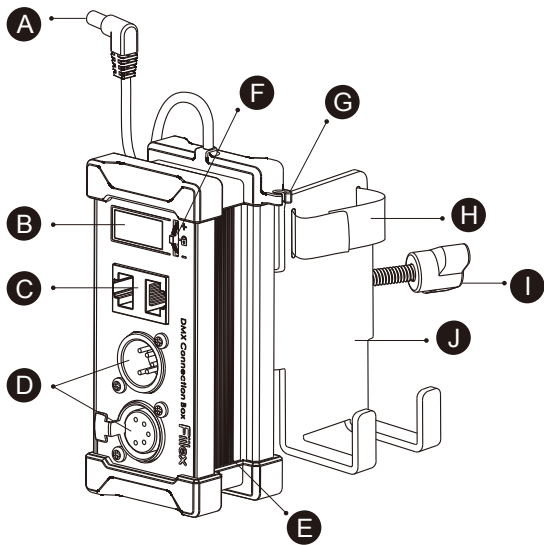


# DMX Connection Box with Power Adapter Holder

## User Manual

# Getting To Know The DMX Connection Box



A Connection Plug

B LCD Display

C RJ45 Ports(In/Out)

D 5-Pin XLR Ports (In/Out)

E Cable Storage Coil

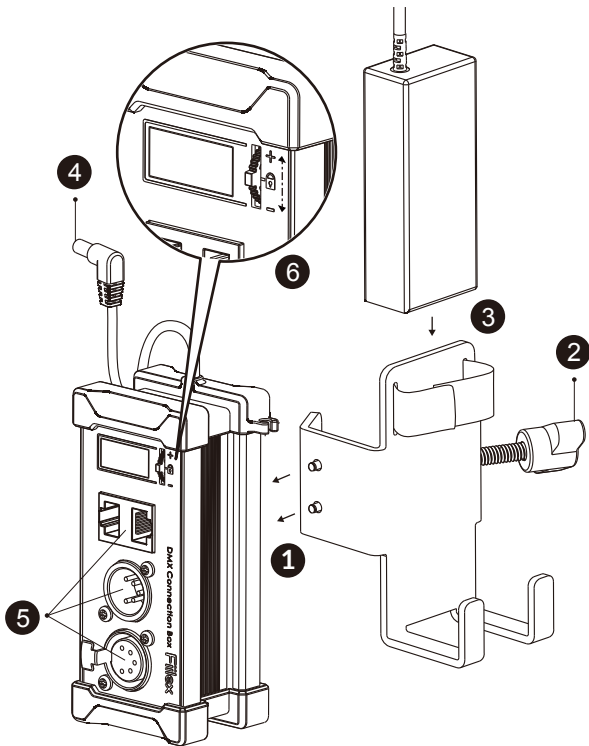
F Thumbwheel

G Cable Clamp

H Velcro Strap

I Stand Fastener Knob

J Power Adapter Holder



## Set Up And Basic Operation

- 1 Attach the Power Adapter Holder (J) to the DMX Connection Box via the two screws.
- 2 Attach entire unit to a tripod or light stand. Secure the unit using the Stand Fastener Knob (I).
- 3 Slide the P360EX Power Adapter into the Holder (J), and secure with the velcro strap (H).
- 4 Insert Connection Plug (A) into Light Control Input Jack on the P360EX.
- 5 Connect to DMX controller via XLR5 (D) or RJ45 (C) ports in the DMX Connection Box.

## Setting the DMX Address

- 6 Rapidly push the Thumbwheel (F) two times to unlock. When LCD Display (B) starts to flash, set the DMX Address.
- 7 To set the DMX address, slide the Thumbwheel (F) up to increase the number, and down to decrease.
- 8 Once set, push the Thumbwheel (F) one time to lock.