

P360 Classic

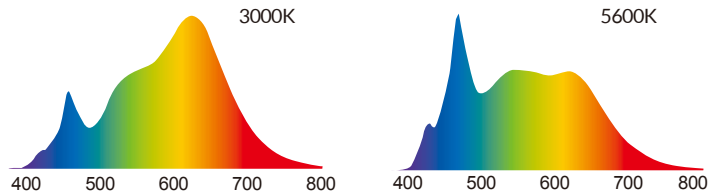
Portable LED Light

FEATURES

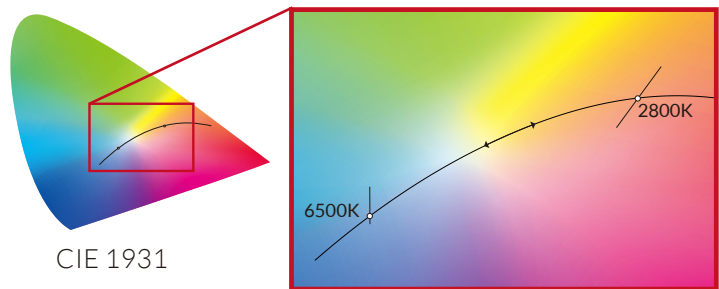
- 300-400W Equivalent Output (Tungsten) - Draws 90W
- 2800-6500K Continuous Tuning
- Full Spectrum Light Quality
- Dimming (100% - 20%)
- Flicker Free
- Point Source for Easy Beam Shaping
- Does Not Emit UV Light/Radiation
- IP-24 Water Resistant
- Mechanical Mount with Magnetic Locking for Accessories



FULL SPECTRUM



TUNABLE CCT & HUE



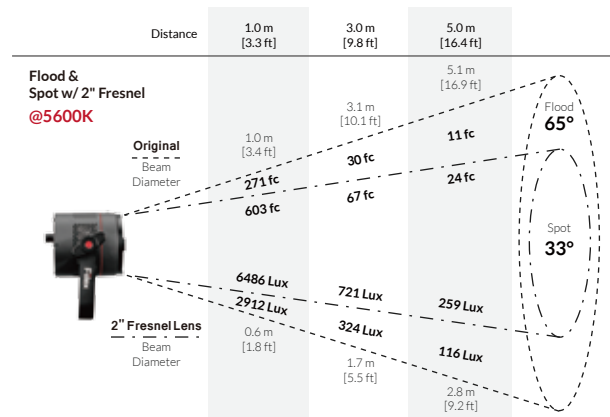
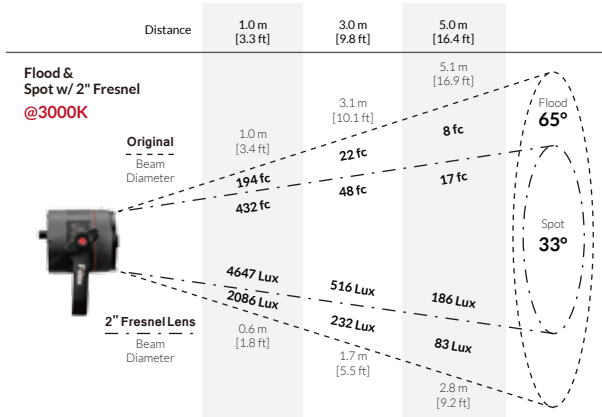
EXCELLENT COLOR RENDERING

CCT	R1	R2	R3	R4	R5	R6	R7	R8	R9	R10	R11	R12	R13	R14	R15	CRI _{Ra} *	CRI _{Ext} *	TLCI
3000K	98	99	97	97	97	97	96	93	77	94	96	84	99	97	95	97	94	96
5600K	97	99	98	93	95	97	94	91	75	94	92	84	98	99	94	95	93	96

Values in this table are typical.

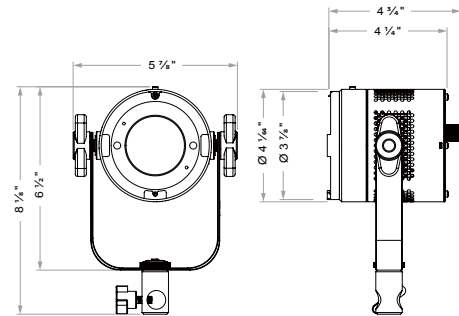
*CRI_{Ra} is the averaged result of R1 to R8; CRI_{Ext} is the averaged value of R1 to R15.

PHOTOMETRIC DATA



SPECIFICATIONS

Size (without Barndoor)	4" (Diameter) x 4.7" (Length)
Weight (Includes Yoke)	1.83 lbs / 0.83 kg
LED	Dense Matrix LED
Thermal Design	Active Cooling
CCT Range	2800-6500K Continuous Tuning
CRI	≥93
Power Consumption	90W Max
Power Input	12 to 30 V DC
AC Adapter	100-240V AC, 50/60Hz (In) / 24V DC, 90W max. (Out)
Operating Temperature	32 to 104°F / 0 to 40 °C



OPTIONAL ACCESSORIES & KITS

