

P/N: FLXQUAD-MBLKT

### FEATURES

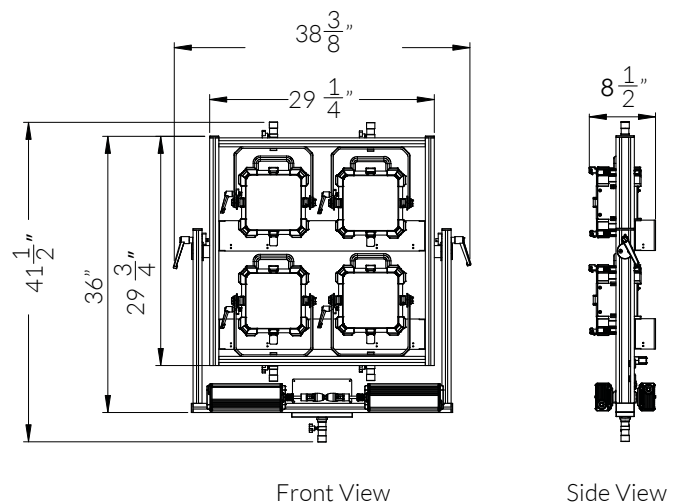
- Combines four Matrix RGBW LED fixtures into one modular system
- Brighter than a 4k tungsten softlight (1360W draw)
- High CRI values at every color temperature
- 2800-10000K continuous tuning
- RGBW Color (Hue/Saturation, Effects, Gel Mode, etc.)
- Dims to 0% without flicker or color shift
- Integrated cable management
- DMX control (via included controller or standard XLR5 DMX input )
- Kit includes 4x Quad Fresnel attachments for ≈2.5x increased punch
- Matrix fixtures can be used off-frame as individual lights
- Compatible with industry standard rectangular and octa softboxes



### SPECIFICATIONS

Design	Modular (4x Matrix Fixtures)
CCT Control	2800 - 10000K, ±0.25 green
CRI	95 typical
Color Control	RGBW
Dimming	100% - 0% flicker free
Light Engine	Dense Matrix LED
Total Power Draw	1360W Max
Max Intensity	≈600fc (at 3m, 5600K)
Beam Angle	99°, 31° with Quad Fresnel
AC Input	100 - 240V AC, 50 ~ 60Hz
DMX Interface	XLR5
Total Weight	99lbs / 45kg
Size (L x W x H)	3' 2" x 8.5" x 3' 6" / 97cm x 22cm x 105cm
Mount	Junior Stud 1-1/8" Male (28mm)

### DIMENSIONS



190813A

## ITEMS INCLUDED

(2x) X242 Travel Kit (FLXX242)

4x Matrix RGBW	4x Pop-Up Softbox
4x Power Adapter	2x X-Kit Case



(1x) QUAD Matrix Frame (FLXQUAD)



(4x) Matrix Fresnel (FLXA067)

