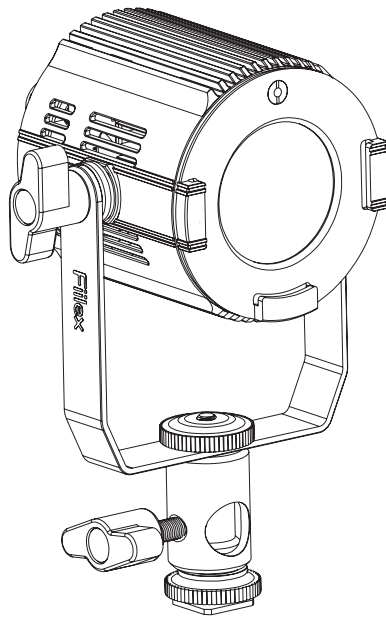


Fiilex



P180E

FLXP180

User Manual

General Notes

- Please read the following operating instructions very carefully before using this fixture for the first time. They contain important information on the operation of Fiilex lighting equipment.
- For your own safety, please follow all safety instructions and warnings.
- Please also follow the operating instructions of the light and power adapter manufacturers.
- Keep these operating instructions for you and subsequent users for reference in the future.
- For further information, please ask your retailer or inquire at your local authorities. Only use Fiilex spare parts and accessories (www.filllex.com).

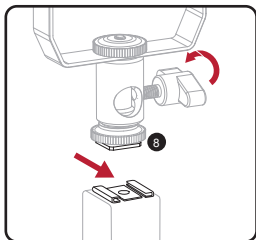
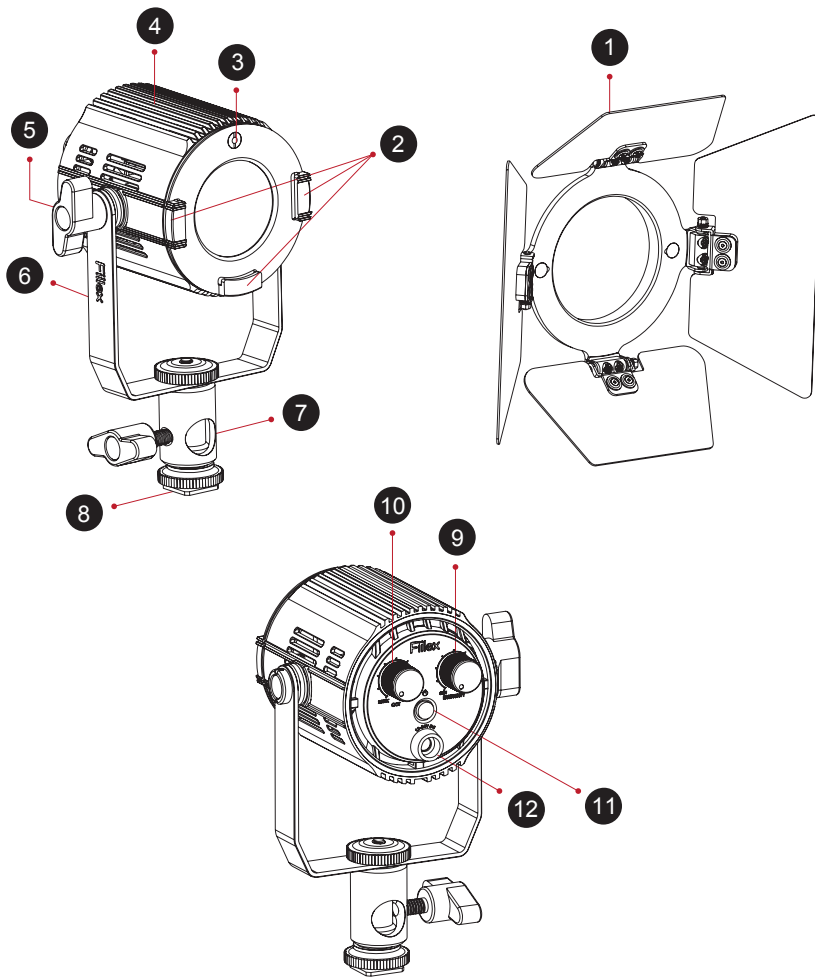
Basic Operation (refer to Parts Diagram on following page)

- **Mounting**
The Light Stand Adapter (7) on the P180E can be mounted to a cold/hot shoe with its Cold Shoe Mount with Stud (8) connector.
- **Powering On**
Insert the DC connector into the DC Power Input Jack (12) and place the DC plug into an active wall socket. The fixture's On/Off Button (11) will turn on once it is receiving power. The On/Off Button (11) toggles the output on and off.
- **Adjusting the P180E**
Use the Yoke Knobs (5) to lock the fixture's tilt position. Tighten the handle to secure.

Mode	Screen Indicator	Description
Intensity	INTENSITY	To adjust the brightness of the fixture, turn the Light Intensity Knob (9).
Color Temperature	CCT	To adjust the color temperature of the fixture, turn the CCT Tuning Knob (10).

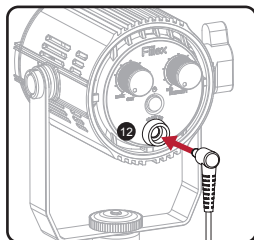
Parts Diagram

1. 4-Leaf Barndoor
2. Barndoor Brackets
3. Barndoor Fix Ball
4. Air Vents
5. Yoke Knob
6. Yoke
7. Light Stand Adapter
8. Cold Shoe Mount with Stud
9. Light Intensity Knob
10. CCT Tuning Knob
11. On/Off Button
12. DC Power Input Jack



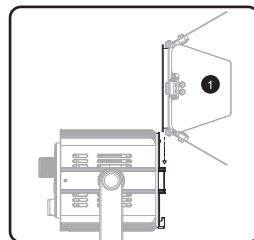
Mounting

Mount the P180E to the cold/hot shoe of a camera via Cold Shoe Mount with Stud (8).



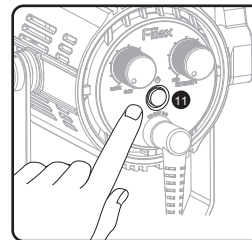
Plugging In

Insert the DC connector into the DC Power Input Jack (12).



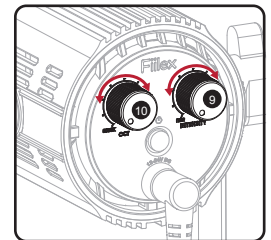
Installing the Barndoor

Slide the Barndoor (1) into the Barndoor Bracket (2) until it clicks into place.



Powering On

Press the On/Off Button (11) to turn on the light. The button will turn green to indicate that the light is on.



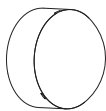
Adjusting the Settings

Turn the knobs to adjust CCT/Intensity.

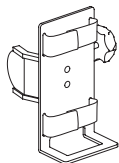
Compatible Accessories



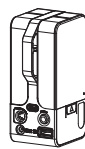
Fresnel Lens



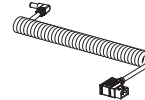
Dome Diffuser



Power Adapter Holder Gen II



B60 Brick Battery System



D-Tap Cable

Specifications

CCT Range	3000-5600K Continuous Tuning
Light Engine	Dense Matrix LED
Power Draw	40W Max
DC Input	12 - 24V DC
AC Input	100 - 240V AC, 50 ~ 60Hz
Power Port	2.5mm DC Jack
DMX Ports	N/A
Weight	1.2lbs / 0.5kg
Size	2.9in Diameter x Length 3.8in
Mount	Baby Stud 5/8" Female (16mm) & Cold Shoe Mount with Stud
Thermal Design	Passive Cooling System
Operating Temperature	32 - 104°F / 0 - 40°C
IP Rating	IP-24 (IP-25 with Rain Shield)
LED Lifetime	42,000 hours
Certifications	FCC, CE, UL

Safety

- Do NOT attempt to disassemble the body of the P180E, doing so will immediately void the factory warranty.
- Do NOT directly cover the side and/or back air vents. Allow for proper air flow.
- Only use included power supply or optional D-Tap Cable. Failure to do so may cause damage to the LED light.
- Only use the included power adapter, failure to do so may cause damage to the LED light.
- Only use a soft, dry towel to gently clean the exterior of the light.
- Before using the light for the first time, remove the protective membranes.

Warranty

Unless otherwise stated, your product is covered by a **one year parts and labor limited warranty**. Fiilex guarantees, to the original buyer, that this product is to be free of defects in both workmanship and material for a period of one year from the date of shipment. This warranty extends to all products which have proved defective through normal use but excludes products that have been disassembled, modified or misused by the buyer or any other person. This warranty is in lieu of all other warranties, and disclaims all warranties expressed or implied, including any warranty of merchantability, fitness for a particular purpose, or arising from the course of dealing between the parties or usage of trade.

Returning an Item Under Warranty for Repair

It is necessary to obtain a Return Authorization Number (RA#) from your dealer/ point of purchase BEFORE any units are returned for repair. Fiilex will make the final determination as to whether or not the unit is covered by warranty. Fiilex will replace or repair to proper working condition any products that are returned under warranty. Products repaired or replaced under warranty are under warranty only for the remaining unexpired period of time of the original warranty.

Any Product unit or part returned to Fiilex must be packaged in a suitable manner to ensure the protection of such Product unit or parts. The package must be clearly and prominently marked to indicate that the package contains returned product units or parts with a Return Authorization (RA#) number. All returned product units or parts must be accompanied by a written explanation of the alleged problem or malfunction.



www.fiilex.com

1689 Regatta Blvd. Richmond, CA 94804
| (510) 620-5155 | fiilex@fiilex.com