

P360 & P360EX

Portable LED Light

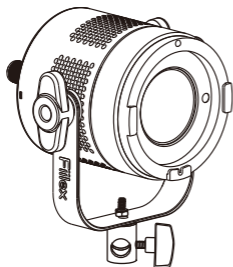
User Manual

Table of Contents

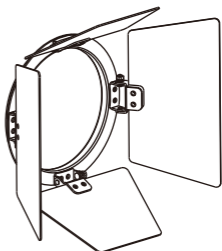
What's In The Box	1
Getting To Know The Light	2
Set Up And Basic Operation	4
Optional Accessories	7
Specifications	8
For Your Safety	9

What's In The Box

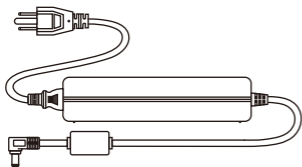
- P360 or P360EX Light



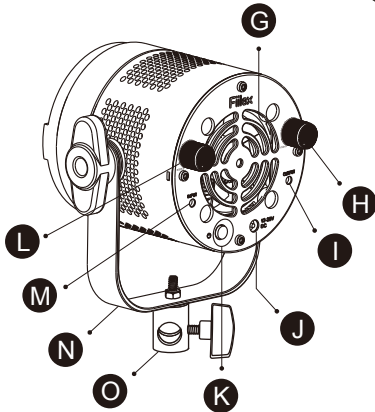
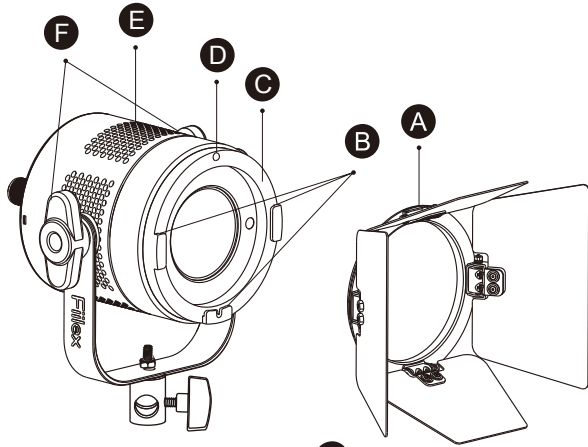
- 4 Leaf Barndoor



- Power Adapter

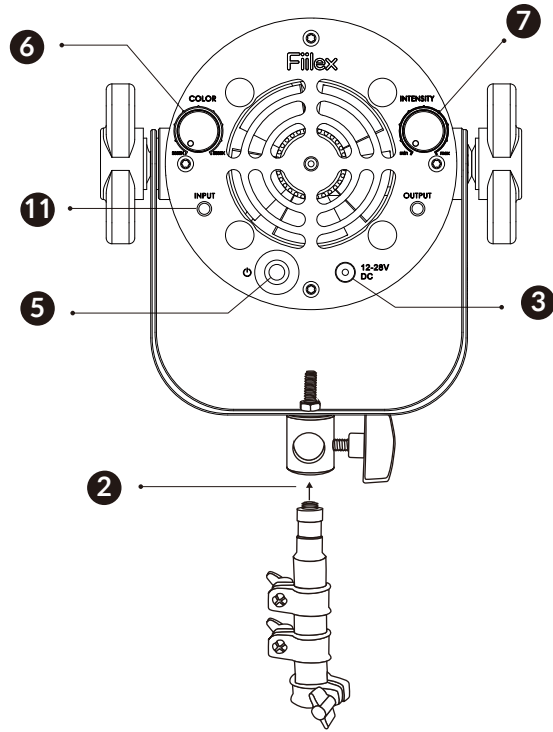


Getting To Know The Light

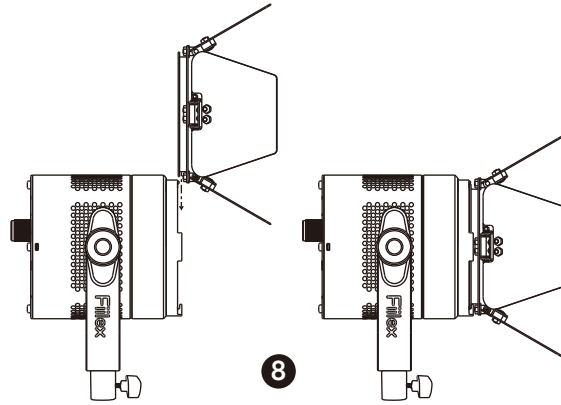


- A 4 Leaf Barndoor
- B Barndoor Slot
- C Barndoor Holder
- D Barndoor Fix Ball
- E Side Air Vents
- F Yoke Knob
- G Back Air Vents
- H Light Intensity Knob
- I Light Control Output Jack (P360EX Only)
- J DC Power Input Jack
- K On/ Off Switch
- L CCT Tuning Knob (3000K - 5600K)
- M Light Control Input Jack (P360EX Only)
- N Yoke
- O Light Stand Adapter

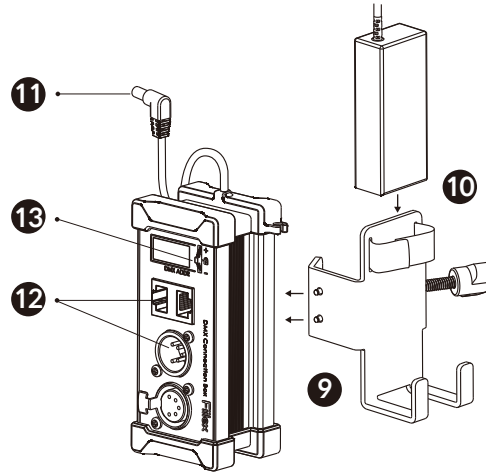
Set Up And Basic Operation



4



5



- 1 When using light for the first time, remove the plastic protective membranes and discard.
- 2 Mount Light Stand Adapter(O) to 5/8 Stud on light stand or tripod.
- 3 Insert the DC power plug from the power adapter into the DC Power Input Jack (J).
- 4 Connect the Power Adapter to AC Power.
- 5 Press On/Off button (K) to turn on P360/EX.
- 6 Adjust the color temperature with CCT Tuning Knob (L).
- 7 Adjust the Intensity with the Light Intensity Knob (H).
- 8 Slide Barndoor into the Barndoor Slot (B) until it clicks into place.

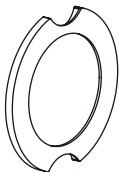
Following Steps for P360EX model only.

- 9 Mount the DMX Connection Box with the Power Adapter Holder to the light stand or tripod. Secure with the Stand Fastener Knob.
- 10 Slide the Power Adapter into the cradle of the Power Adapter Holder and tighten the Velcro Strap.
- 11 Insert Connection Plug into Light Control Input Jack on the P360EX (M).
- 12 Connect to DMX controller via XLR5 (D) or RJ45 (C) ports in the DMX Connection Box.
- 13 Rapidly push the thumbwheel (F) two times to unlock. Seven-segment Display (B) will start to flash, you can now set the DMX Address.
- 14 To set the DMX address, slide the thumbwheel (F) up to increase the number, and down to decrease.
- 15 Once set, push the thumbwheel (F) once in to lock.

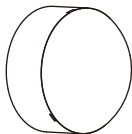
6

Optional Accessories

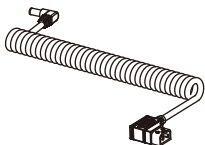
Fresnel Lens



Dome Diffuser

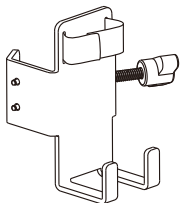


D-tap Cable

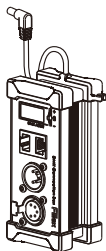


For P360EX Only

Power Adapter Holder



DMX Connection Box



For additional accessories go to www.fiilex.com

Specifications

Size (without Barndoor)

4" (Diameter) x 4.7" (Length) /

102mm (Diameter) x 119mm (Length)

Weight (Includes Yoke)

1.6 lb / 0.74 kg

LED

Dense Matrix LED

Thermal Design

Advanced Vapor Cooling System

CCT Range

3000-5600K Continuous Tuning

CRI

≥93

Power Consumption

90W Max.

Power Input

12 to 28 V DC

AC Adapter

100-240V AC, 50/60Hz (In) / 24V DC, 90W max. (Out)

Operating Temperature

0° to 40°C / 32° to 104° F

P360EX Only

IP-24 Rating

For Your Safety

- Do not attempt to disassemble the body of the P360 or P360EX, doing so will immediately void the factory warranty.
- Do not install the P360 in a damp or wet area.
- Do not submerge P360/P360EX in water.
- Do not cover the side or back air vents.
- Only use the included power adapter, failure to do so may cause damage to the LED light.
- Only use a soft, dry towel to gently clean the exterior of the light.
- Before using the light for the first time, remove the protective membranes.

Fiilex[™]

Fiilex.com

1689 Regatta Blvd. Richmond, CA 94804

(510)620-5155 . Fiilex@Fiilex.com

Information and Specifications in this document are subject to change without notice. DiCon Lighting, Inc. assumes no responsibility or liability for any error or inaccuracies that may appear in this manual. Unlawful reproduction or distribution in any manner without the written permission of DiCon Lighting, is strictly prohibited.

© DiCon Lighting 1996-2014 All Rights Reserved