

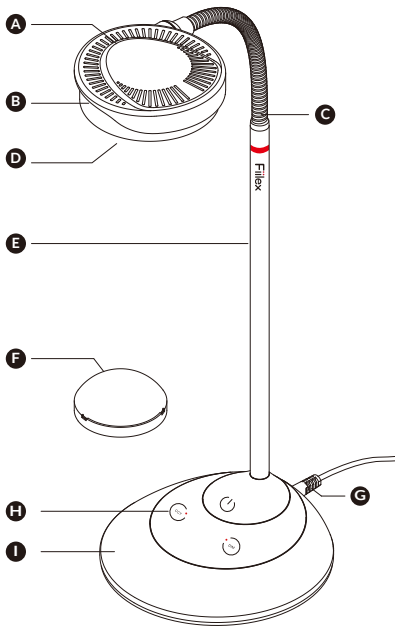
Fiilex™

V70 LED

Print Viewing Lamp

User Manual

Parts Diagram



A Air Vents

B Lamp Cover

C Flexible Arm

D Lens

E Stand

F Dome Diffuser

G DC Plug

H Touch Panel

I Base

Safety and Maintenance

- The V70 Print Viewing Lamp is designed for indoor use only.
- Do not attempt to disassemble the lamp, as this may damage internal parts and may cause electric shock.
- Check the AC mains voltage before use (between 100-240 VAC at 47/63 Hz). Inappropriate voltage will cause damage to the electronic parts of the lamp and the power supply.
- Strong surrounding radio frequencies may interfere with the lamp's touch function.
- Keep operation temperatures within 0°C ~ 40°C.
- Use a soft, dry towel to carefully clean the exterior of the lamp.
- Do not expose the product to high humidity.
- Keep air vents clear to avoid overheating the lamp.



Package Contents

- V70 Print Viewing Lamp
- Power Supply
- Dome Diffuser
- User Manual

Electrical Specifications

- V70 Print Viewing Lamp

Power Consumption 11-13W Max





Input Voltage 24VDC \pm 5%

- Power Supply

Input 100-240VAC 50-60 Hz

Output 24V, 1A max

Operation

1. Plug the DC power plug into the lamp and the AC power plug into wall outlet.
2. Tap  to turn the V70 on.
3. Tap  (CCT) to change color temperatures. The V70 is programmed to cycle through 3000K, 4000K, 5000K and 6500K modes with each tap.
4. Hold  (DIM) to adjust the intensity of any color temperature. The V70 has dimming steps from 100% to 20% for each color temperature. Tap  (DIM) again to return the light to the high intensity setting.
5. To use the Dome Diffuser on your V70, align the dome's magnets with the screws on the lamp head.

Photometric Specifications

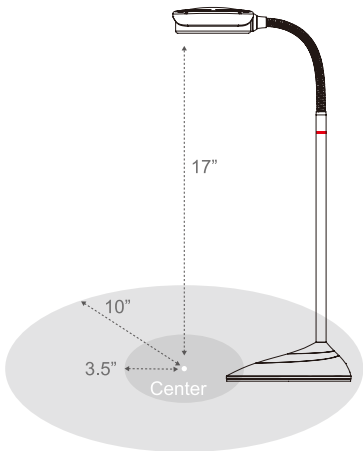
High Intensity

Position	3000K	4000K	5000K	6500K
Center	1382lux	1543 lux	1595 lux	1605 lux
3.5"	1254lux	1403 lux	1450lux	1462 lux
10"	666 lux	750 lux	780 lux	795 lux

Low Intensity

Position	3000K	4000K	5000K	6500K
Center	286 lux	291 lux	278 lux	303 lux
3.5"	260 lux	266 lux	252 lux	276 lux
10"	140 lux	144 lux	137 lux	151 lux

CRI values are ≥ 90



Fiilex™

Fiilex.com
