

FL5600 LED Fiberoptic Illuminator

PART NUMBER

FL5600	—	MW	—	30	—	H	—	NT	—	PSU
		Device Color		Fiber Port Size		Homogenizer		Twinkle Wheel		
		MW Mixed RGBW		30 30mm		H With homogenizer		NT No Twinkle Wheel		

SPECIFICATIONS

FEATURES

Stand-alone operable
Manual, 0-10V and DMX controllable
Mixed Color

ELECTRICAL

Input Voltage: 24V DC
Power Consumption: 120W Max

OPERATING ENVIRONMENT

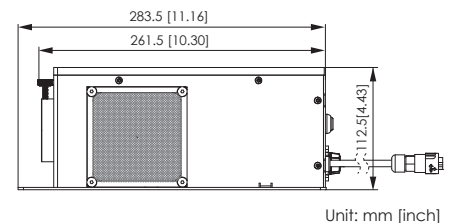
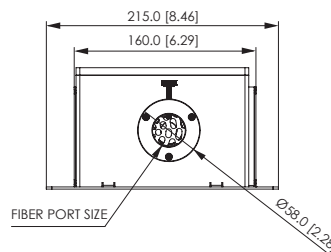
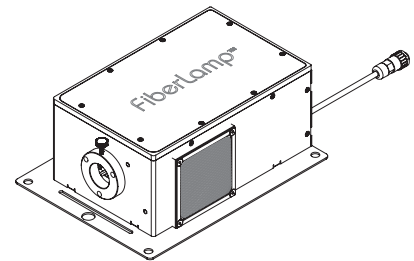
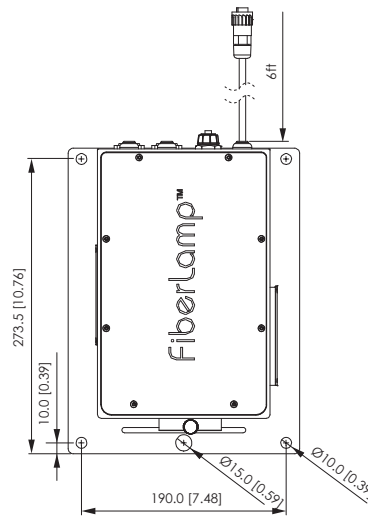
Ingress Protection: IP65
Exposure: Outdoor
Operating Temperature: 0° to 40°C
Storage Temperature: -40° to 70°C
Airflow: 36 cfm
Acoustic Noise: 33 dBA

MECHANICAL

Material/Finish:
Black anodized aluminum, black iron plate
Weight: 9 lbs
Dimensions: 11.1" x 8.5" x 4.4"
DC input cord length: 6 ft

MOUNTING

OK to mount in any orientation
Best orientation is with exhaust vent facing up
Keep vents free from obstruction



Unit: mm [inch]