

MOTOQUAD DMX Mapping

Firmware Version : **MOTOQUAD V4.3 or newer**

MOTOQUAD Modes

Control The Control Channel consolidates extraneous parameters in all non-EZ modes	
DMX Value	Parameter
0 - 9	Keep current settings. No change
10 - 19	Motor Enable (default) (20 packets)
20 - 29	Motor Disable (20 packets)
30 - 39	Motor speed slow (default) (20 packets)
40 - 49	Motor speed fast (20 packets)
50 - 59	Reserved TBD
60 - 69	Reserved TBD
70 - 79	Screen Flip Up (default) (20 packets)
80 - 89	Screen Flip Down (20 packets)
90 - 99	Reserved TBD
100 - 109	seq_px_dim Enable (20 packets)
110 - 119	seq_px_dim Disable (default) (20 packets)
120 - 129	Intensity Curve Gamma (default) (20 packets)
130 - 139	Intensity Curve Linear (20 packets)
140 - 149	Dimming Smooth (20 packets)
150 - 159	Dimming Sharp (20 packets)
160 - 169	White point 6500K (default) (20 packets)
170 - 179	White point 5600K (20 packets)
180 - 189	White point 3200K (20 packets)
190 - 199	Reserved TBD
200 - 209	Fan Silent
210 - 219	Fan Auto (Fixture auto adjusts)
220 - 229	Fan Full Speed
230 - 239	Fan Off
240 - 249	Reserved TBD
250 - 255	Reserved TBD

Standard Modes

Mode	8-bit (DMX Footprint)	16-bit (DMX Footprint)	Page
MOTO	N/A	Mode 200 (8)	<u>5</u>
MOTO CCT	Mode 201 (12)	Mode 209 (15)	<u>5</u>
MOTO HSI *	Mode 202 (12)	Mode 210 (15)	<u>6</u>
MOTO RGBW *	Mode 203 (14)	Mode 211 (19)	<u>6</u>
MOTO CIExy	Mode 206 (12)	Mode 214 (15)	<u>7</u>
MOTO GEL	Mode 207 (12)	Mode 215 (13)	<u>8</u>
MOTO RGB *	Mode 240 (12)	Mode 245 (15)	<u>9</u>

CCT Modes

CCT modes allow white point adjustment using the “CCT” and “Green Adjust” parameters.

Mode	8-bit (DMX Footprint)	16-bit (DMX Footprint)	Page
MOTO CCTHSI **	Mode 204 (15)	Mode 212 (21)	<u>10</u>
MOTO CCTRGBW **	Mode 205 (17)	Mode 213 (25)	<u>11</u>
MOTO CCTxy ***	Mode 241 (15)	Mode 246 (21)	<u>12</u>

ICT Modes

ICT modes allow white point adjustment like CCT+ modes, without a “Crossfade” parameter.

Mode	8-bit (DMX Footprint)	16-bit (DMX Footprint)	Page
MOTO ICTHS **	Mode 242 (14)	Mode 247 (19)	<u>13</u>
MOTO ICTRGBW **	Mode 243 (16)	Mode 248 (23)	<u>14</u>
MOTO ICTxy ***	Mode 244 (14)	Mode 249 (19)	<u>15</u>

EZ Modes

EZ modes include no “Strobe Frequency” or “Control” parameters, shortening the DMX footprint.

Mode	8-bit (DMX Footprint)	16-bit (DMX Footprint)	Page
MOTO EZ CCT	Mode 250 (9)	Mode 263 (12)	<u>16</u>
MOTO EZ HSI *	Mode 251 (9)	Mode 264 (12)	<u>16</u>
MOTO EZ RGBW *	Mode 252 (11)	Mode 265 (16)	<u>16</u>
MOTO EZ CCTHSI **	Mode 253 (12)	Mode 266 (18)	<u>17</u>
MOTO EZ CCTRGBW **	Mode 254 (14)	Mode 267 (22)	<u>17</u>
MOTO EZ CIExy	Mode 255 (9)	Mode 268 (12)	<u>18</u>
MOTO EZ RGB *	Mode 256 (9)	Mode 269 (12)	<u>18</u>
MOTO EZ CCTxy **	Mode 257 (12)	Mode 270 (18)	<u>18</u>
MOTO EZ ICTHS **	Mode 258 (11)	Mode 271 (16)	<u>19</u>
MOTO EZ ICTRGBW **	Mode 259 (13)	Mode 272 (20)	<u>19</u>
MOTO EZ ICTxy ***	Mode 260 (11)	Mode 273 (16)	<u>20</u>
MOTO EZ 3200K	Mode 261 (7)	Mode 274 (8)	<u>20</u>
MOTO EZ 5600K	Mode 262 (7)	Mode 275 (8)	<u>20</u>

ALL Modes

Mode	8-bit (DMX Footprint)	16-bit (DMX Footprint)	Page
ALL MODES	Mode 276 (17)	Mode 277 (25)	<u>21</u>

PXL4 Modes (DMX Control Only)

Mode	8-bit (DMX Footprint)	16-bit (DMX Footprint)	Page
MOTO PXL4 CCTHSI **	Mode 217 (33)	Mode 220 (57)	<u>25</u>
MOTO PXL4 CCTRGBW **	Mode 218 (41)	Mode 221 (73)	<u>26</u>
MOTO PXL4 CIExy	Mode 219 (21)	Mode 222 (33)	<u>27</u>
MOTO PXL4 CCTxy ***	Mode 280 (33)	Mode 284 (57)	<u>28</u>
MOTO PXL4 ICTHS **	Mode 281 (29)	Mode 285 (49)	<u>29</u>
MOTO PXL4 ICTRGBW **	Mode 282 (37)	Mode 286 (65)	<u>30</u>
MOTO PXL4 ICTxy ***	Mode 283 (29)	Mode 287 (49)	<u>31</u>
MOTO PXL4 EZ CCT	Mode 288 (18)	Mode 292 (30)	<u>32</u>
MOTO PXL4 EZ HSI *	Mode 289 (18)	Mode 293 (30)	<u>33</u>
MOTO PXL4 EZ RGBW	Mode 290 (26)	Mode 294 (46)	<u>34</u>
MOTO PXL4 EZ RGB *	Mode 291 (18)	Mode 295 (30)	<u>35</u>

PXL16 Modes (DMX Control Only)

Mode	8-bit (DMX Footprint)	16-bit (DMX Footprint)	Page
MOTO PXL16 CCTHSI **	Mode 300 (105)	Mode 303 (201)	<u>36</u>
MOTO PXL16 CCTRGBW **	Mode 301 (137)	Mode 304 (265)	<u>38</u>
MOTO PXL16 CIExy	Mode 302 (57)	Mode 305 (105)	<u>41</u>
MOTO PXL16 CCTxy ***	Mode 306 (105)	Mode 310 (201)	<u>42</u>
MOTO PXL16 ICTHS **	Mode 307 (89)	Mode 311 (169)	<u>44</u>
MOTO PXL16 ICTRGBW **	Mode 308 (121)	Mode 312 (233)	<u>46</u>
MOTO PXL16 ICTxy ***	Mode 309 (89)	Mode 313 (169)	<u>49</u>
MOTO PXL16 EZ CCT	Mode 314 (54)	Mode 318 (102)	<u>51</u>
MOTO PXL16 EZ HSI *	Mode 315 (54)	Mode 319 (102)	<u>52</u>
MOTO PXL16 EZ RGBW *	Mode 316 (86)	Mode 320 (166)	<u>53</u>
MOTO PXL16 EZ RGB *	Mode 317 (54)	Mode 321 (102)	<u>55</u>

Notes

* HSI, RGBW and RGB modes are based on a white point of 6500K. For instance, in HSI mode, when "Saturation"=0%, the fixture produces 6500K white.

** In CCTHSI, CCTRGBW, ICTHS and ICTRGBW modes, the white point is determined and can be adjusted by the "CCT" and "Green Adjust" parameters. This applies at any "Crossfade" value in CCTHSI and CCTRGBW modes. The following scenarios illustrate how white point is determined by the "CCT" parameter, given all other parameters being the same.

Scenario 1: In CCTRGBW modes, the following settings produce 3200K white. Notice that "Crossfade" has no effect on the white point

CCT=3200K, Xfade=0%

CCT=3200K, Xfade=100%, W=100%

CCT=3200K, Xfade=100%, RGB=100%

CCT=3200K, Xfade=100%, RGBW=100%

Scenario 2: In CCTHSI modes, the following settings produce 2800K and 5600K white respectively. Notice "CCT" is the differentiating parameter.

(3200K output) CCT=3200K, RGBW=100%

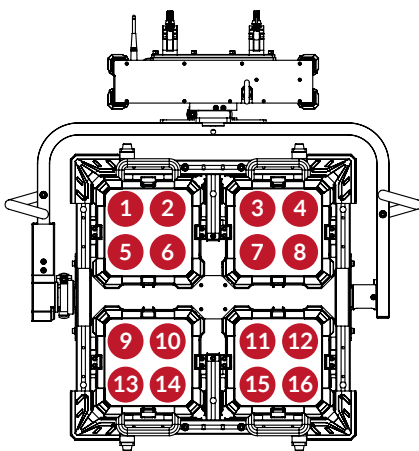
(5600K output) CCT=6500K, RGBW=100%

*** In CCTxy and ICTxy modes, the "CCT" and "Green Adjust" parameters allow slight adjustment of the color temperature and tint for the selected "CIEx" and "CIEy" coordinates. To produce an output true to the CIEx and CIEy coordinates, set "CCT"=6500K and "Green Adjust"=0.00.

Ordering of Pixels

Seen from Front of Fixture

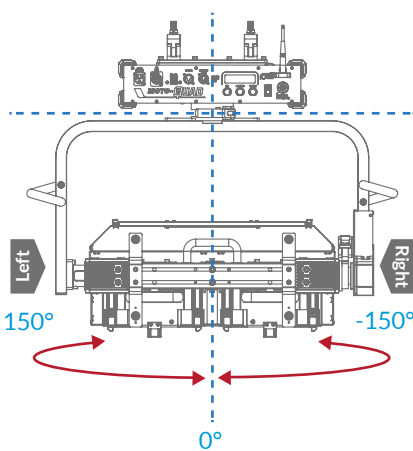
FRONT VIEW



Pan & Tilt Angle Definition

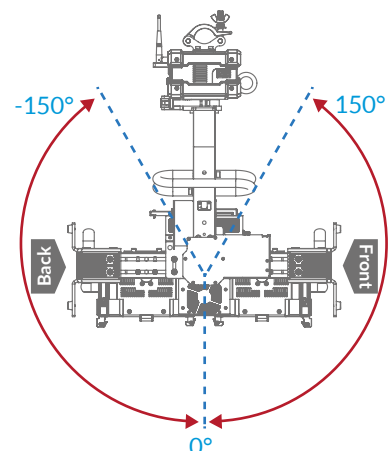
Pan Angle

BACK VIEW



Tilt Angle

SIDE VIEW



Mode 200: MOTO, 16-bit

16-bit DMX	Function	16-bit Value	Range
1 - 2	PAN	0 - 65,535	-150° - +150°
3 - 4	TILT	0 - 65,535	-150° - +150°
5 - 6	ZOOM (Not Supported)	0 - 65,535	0 - 100 (%)
7	Control	See control table	
8	Reserved for future use	TBD	

Mode 201 (8-bit) / Mode 209 (16-bit) : MOTO CCT

8-bit DMX	16-bit DMX	Function	8-bit/16-bit Value		Range
1	1-2	Master Intensity	0 - 255	0 - 65,535	0% - 100%
2	3-4	CCT	0 - 255	0 - 65,535	2000K - 10000K
3	5-6	Green Adjust	0 - 9 10 - 255	0 - 9 10 - 65,535	Neutral (0) Full magenta ~ Full green (-1.0 ~ +1.0)
4	7	Strobe Frequency	0 - 9 10 - 255		Strobe off 1Hz - 25Hz
5-6	8-9	PAN	0 - 65,535		-150° - +150°
7-8	10-11	TILT	0 - 65,535		-150° - +150°
9-10	12-13	ZOOM (Not Supported)	0 - 65,535		0 - 100 (%)
11	14	Control	See control table		
12	15	Reserved for future use	TBD		

Mode 202 (8-bit) / Mode 210 (16-bit) : MOTO HSI

8-bit DMX	16-bit DMX	Function	8-bit/16-bit Value		Range
1	1-2	Master Intensity	0 - 255	0 - 65,535	0% - 100%
2	3-4	Hue	0 - 255	0 - 65,535	0° - 360°
3	5-6	Saturation	0 - 255	0 - 65,535	0% - 100%
4	7	Strobe Frequency	0 - 9 10 - 255		Strobe off 1Hz - 25Hz
5-6	8-9	PAN	0 - 65,535		-150° - +150°
7-8	10-11	TILT	0 - 65,535		-150° - +150°
9-10	12-13	ZOOM (Not Supported)	0 - 65,535		0 - 100 (%)
11	14	Control	See control table		
12	15	Reserved for future use	TBD		

Mode 203 (8-bit) / Mode 211 (16-bit) : MOTO RGBW

8-bit DMX	16-bit DMX	Function	8-bit/16-bit Value		Range
1	1-2	Master Intensity	0 - 255	0 - 65,535	0% - 100%
2	3-4	Intensity Red	0 - 255	0 - 65,535	0% - 100%
3	5-6	Intensity Green	0 - 255	0 - 65,535	0% - 100%
4	7-8	Intensity Blue	0 - 255	0 - 65,535	0% - 100%
5	9-10	Intensity White	0 - 255	0 - 65,535	0% - 100%
6	11	Strobe Frequency	0 - 9 10 - 255		Strobe off 1Hz - 25Hz
7-8	12-13	PAN	0 - 65,535		-150° - +150°
9-10	14-15	TILT	0 - 65,535		-150° - +150°
11-12	16-17	ZOOM (Not Supported)	0 - 65,535		0 - 100 (%)
13	18	Control	See control table		
14	19	Reserved for future use	TBD		

Mode 206 (8-bit) / Mode 214 (16-bit) : MOTO CIExy

8-bit DMX	16-bit DMX	Function	8-bit/16-bit Value		Range
1	1-2	Master Intensity	0 - 255	0 - 65,535	0% - 100%
2	3-4	x	0 - 255	0 - 65,535	0.0 - 0.8
3	5-6	y	0 - 255	0 - 65,535	0.0 - 0.8
4	7	Strobe Frequency	0 - 9 10 - 255		Strobe off 1Hz - 25Hz
5-6	8-9	PAN	0 - 65,535		-150° - +150°
7-8	10-11	TILT	0 - 65,535		-150° - +150°
9-10	12-13	ZOOM (Not Supported)	0 - 65,535		0 - 100 (%)
11	14	Control	See control table		
12	15	Reserved for future use	TBD		

Mode 207 (8-bit) / Mode 215 (16-bit) : MOTO GEL

8-bit DMX	16-bit DMX	Function	8-bit/16-bit Value		Range
1	1-2	Master Intensity	0 - 255	0 - 65,535	0% - 100%
2	3	Gel Filter	0 - 9 10 - 19 20 - 29 30 - 39 40 - 49 50 - 59 60 - 69 70 - 79 80 - 89 90 - 99 100 - 109 110 - 119 120 - 129 130 - 139 140 - 149 150 - 159 160 - 169 170 - 179 180 - 189 190 - 199 200 - 209 210 - 255	None Bastard Amber Straw Light Amber Light Flame Golden Amber Light Red No Color Pink Middle Rose Light Rose Purple Surprise Pink No Color Blue Daylight Blue Primary Blue Moss Green Blue Green Gel 1 Gel 2 Gel 3 Gel 4 Gel 5 Reserved	
3	4	CCT (Disabled for Gel 1-5)	0 - 99 100 - 255		3200K 6500K
4	5	Strobe Frequency	0 - 9 10 - 255		Strobe off 1Hz - 25Hz
5-6	6-7	PAN	0 - 65,535		-150° - +150°
7-8	8-9	TILT	0 - 65,535		-150° - +150°
9-10	10-11	ZOOM (Not Supported)	0 - 65,535		0 - 100 (%)
11	12	Control	See control table		
12	13	Reserved for future use	TBD		

Mode 240 (8-bit) / Mode 245 (16-bit) : MOTO RGB

8-bit DMX	16-bit DMX	Function	8-bit/16-bit Value		Range
1	1-2	Intensity Red	0 - 255	0 - 65,535	0% - 100%
2	3-4	Intensity Green	0 - 255	0 - 65,535	0% - 100%
3	5-6	Intensity Blue	0 - 255	0 - 65,535	0% - 100%
4	7	Strobe Frequency	0 - 9 10 - 255		Strobe off 1Hz - 25Hz
5-6	8-9	PAN	0 - 65,535		-150° - +150°
7-8	10-11	TILT	0 - 65,535		-150° - +150°
9-10	12-13	ZOOM (Not Supported)	0 - 65,535		0 - 100 (%)
11	14	Control	See control table		
12	15	Reserved for future use	TBD		

Mode 204 (8-bit) / Mode 212 (16-bit) : MOTO CCTHSI

8-bit DMX	16-bit DMX	Function	8-bit/16-bit Value		Range
1	1-2	Master Intensity	0 - 255	0 - 65,535	0% - 100%
2	3-4	CCT	0 - 255	0 - 65,535	2000K - 10000K
3	5-6	Green Adjust	0 - 9 10 - 255	0 - 9 10 - 65,535	Neutral (0) Full magenta ~ Full green (-1.0 ~ +1.0)
4	7-8	Crossfade	0 - 255	0 - 65,535	0% - 100%
5	9-10	Hue	0 - 255	0 - 65,535	0° - 360°
6	11-12	Saturation	0 - 255	0 - 65,535	0% - 100%
7	13	Strobe Frequency	0 - 9 10 - 255		Strobe off 1Hz - 25Hz
8-9	14-15	PAN	0 - 65,535		-150° - +150°
10-11	16-17	TILT	0 - 65,535		-150° - +150°
12-13	18-19	ZOOM (Not Supported)	0 - 65,535		0 - 100 (%)
14	20	Control	See control table		
15	21	Reserved for future use	TBD		

Mode 205 (8-bit) / Mode 213 (16-bit) : MOTO CCTRGBW

8-bit DMX	16-bit DMX	Function	8-bit/16-bit Value		Range
1	1-2	Master Intensity	0 - 255	0 - 65,535	0% - 100%
2	3-4	CCT	0 - 255	0 - 65,535	2000K - 10000K
3	5-6	Green Adjust	0 - 9 10 - 255	0 - 9 10 - 65,535	Neutral (0) Full magenta ~ Full green (-1.0 ~ +1.0)
4	7-8	Crossfade	0 - 255	0 - 65,535	0% - 100%
5	9-10	Intensity Red	0 - 255	0 - 65,535	0% - 100%
6	11-12	Intensity Green	0 - 255	0 - 65,535	0% - 100%
7	13-14	Intensity Blue	0 - 255	0 - 65,535	0% - 100%
8	15-16	Intensity White	0 - 255	0 - 65,535	0% - 100%
9	17	Strobe Frequency	0 - 9 10 - 255		Strobe off 1Hz - 25Hz
10-11	18-19	PAN	0 - 65,535		-150° - +150°
12-13	20-21	TILT	0 - 65,535		-150° - +150°
14-15	22-23	ZOOM (Not Supported)	0 - 65,535		0 - 100 (%)
16	24	Control	See control table		
17	25	Reserved for future use	TBD		

Mode 241 (8-bit) / Mode 246 (16-bit) : MOTO CCTxy

8-bit DMX	16-bit DMX	Function	8-bit/16-bit Value		Range
1	1-2	Master Intensity	0 - 255	0 - 65,535	0% - 100%
2	3-4	CCT	0 - 255	0 - 65,535	2000K - 10000K
3	5-6	Green Adjust	0 - 9 10 - 255	0 - 9 10 - 65,535	Neutral (0) Full magenta ~ Full green (-1.0 ~ +1.0)
4	7-8	Crossfade	0 - 255	0 - 65,535	0% - 100%
5	9-10	x	0 - 255	0 - 65,535	0.0 - 0.8
6	11-12	y	0 - 255	0 - 65,535	0.0 - 0.8
7	13	Strobe Frequency	0 - 9 10 - 255		Strobe off 1Hz - 25Hz
8-9	14-15	PAN	0 - 65,535		-150° - +150°
10-11	16-17	TILT	0 - 65,535		-150° - +150°
12-13	18-19	ZOOM (Not Supported)	0 - 65,535		0 - 100 (%)
14	20	Control	See control table		
15	21	Reserved for future use	TBD		

Mode 242 (8-bit) / Mode 247 (16-bit) : MOTO ICTHS

8-bit DMX	16-bit DMX	Function	8-bit/16-bit Value		Range
1	1-2	Master Intensity	0 - 255	0 - 65,535	0% - 100%
2	3-4	CCT	0 - 255	0 - 65,535	2000K - 10000K
3	5-6	Green Adjust	0 - 9 10 - 255	0 - 9 10 - 65,535	Neutral (0) Full magenta ~ Full green (-1.0 ~ +1.0)
4	7-8	Hue	0 - 255	0 - 65,535	0° - 360°
5	9-10	Saturation	0 - 255	0 - 65,535	0% - 100%
6	11	Strobe Frequency	0 - 9 10 - 255		Strobe off 1Hz - 25Hz
7-8	12-13	PAN	0 - 65,535		-150° - +150°
9-10	14-15	TILT	0 - 65,535		-150° - +150°
11-12	16-17	ZOOM (Not Supported)	0 - 65,535		0 - 100 (%)
13	18	Control	See control table		
14	19	Reserved for future use	TBD		

Mode 243 (8-bit) / Mode 248 (16-bit) : MOTO ICTRGBW

8-bit DMX	16-bit DMX	Function	8-bit/16-bit Value		Range
1	1-2	Master Intensity	0 - 255	0 - 65,535	0% - 100%
2	3-4	CCT	0 - 255	0 - 65,535	2000K - 10000K
3	5-6	Green Adjust	0 - 9 10 - 255	0 - 9 10 - 65,535	Neutral (0) Full magenta ~ Full green (-1.0 ~ +1.0)
4	7-8	Intensity Red	0 - 255	0 - 65,535	0% - 100%
5	9-10	Intensity Green	0 - 255	0 - 65,535	0% - 100%
6	11-12	Intensity Blue	0 - 255	0 - 65,535	0% - 100%
7	13-14	Intensity White	0 - 255	0 - 65,535	0% - 100%
8	15	Strobe Frequency	0 - 9 10 - 255		Strobe off 1Hz - 25Hz
9-10	16-17	PAN	0 - 65,535		-150° - +150°
11-12	18-19	TILT	0 - 65,535		-150° - +150°
13-14	20-21	ZOOM (Not Supported)	0 - 65,535		0 - 100 (%)
15	22	Control	See control table		
16	23	Reserved for future use	TBD		

Mode 244 (8-bit) / Mode 249 (16-bit) : MOTO ICTxy

8-bit DMX	16-bit DMX	Function	8-bit/16-bit Value		Range
1	1-2	Master Intensity	0 - 255	0 - 65,535	0% - 100%
2	3-4	CCT	0 - 255	0 - 65,535	2000K - 10000K
3	5-6	Green Adjust	0 - 9 10 - 255	0 - 9 10 - 65,535	Neutral (0) Full magenta ~ Full green (-1.0 ~ +1.0)
4	7-8	x	0 - 255	0 - 65,535	0.0 - 0.8
5	9-10	y	0 - 255	0 - 65,535	0.0 - 0.8
6	11	Strobe Frequency	0 - 9 10 - 255		Strobe off 1Hz - 25Hz
7-8	12-13	PAN	0 - 65,535		-150° - +150°
9-10	14-15	TILT	0 - 65,535		-150° - +150°
11-12	16-17	ZOOM (Not Supported)	0 - 65,535		0 - 100 (%)
13	18	Control	See control table		
14	19	Reserved for future use	TBD		

Mode 250 (8-bit) / Mode 263 (16-bit) : MOTO EZ CCT

8-bit DMX	16-bit DMX	Function	8-bit/16-bit Value		Range
1	1-2	Master Intensity	0 - 255	0 - 65,535	0% - 100%
2	3-4	CCT	0 - 255	0 - 65,535	2000K - 10000K
3	5-6	Green Adjust	0 - 9 10 - 255	0 - 9 10 - 65,535	Neutral (0) Full magenta ~ Full green (-1.0 ~ +1.0)
4-5	7-8	PAN	0 - 65,535		-150° - +150°
6-7	9-10	TILT	0 - 65,535		-150° - +150°
8-9	11-12	ZOOM (Not Supported)	0 - 65,535		0 - 100 (%)

Mode 251 (8-bit) / Mode 264 (16-bit) : MOTO EZ HSI

8-bit DMX	16-bit DMX	Function	8-bit/16-bit Value		Range
1	1-2	Master Intensity	0 - 255	0 - 65,535	0% - 100%
2	3-4	Hue	0 - 255	0 - 65,535	0° - 360°
3	5-6	Saturation	0 - 255	0 - 65,535	0% - 100%
4-5	7-8	PAN	0 - 65,535		-150° - +150°
6-7	9-10	TILT	0 - 65,535		-150° - +150°
8-9	11-12	ZOOM (Not Supported)	0 - 65,535		0 - 100 (%)

Mode 252 (8-bit) / Mode 265 (16-bit) : MOTO EZ RGBW

8-bit DMX	16-bit DMX	Function	8-bit/16-bit Value		Range
1	1-2	Master Intensity	0 - 255	0 - 65,535	0% - 100%
2	3-4	Intensity Red	0 - 255	0 - 65,535	0% - 100%
3	5-6	Intensity Green	0 - 255	0 - 65,535	0% - 100%
4	7-8	Intensity Blue	0 - 255	0 - 65,535	0% - 100%
5	9-10	Intensity White	0 - 255	0 - 65,535	0% - 100%
6-7	11-12	PAN	0 - 65,535		-150° - +150°
8-9	13-14	TILT	0 - 65,535		-150° - +150°
10-11	15-16	ZOOM (Not Supported)	0 - 65,535		0 - 100 (%)

Mode 253 (8-bit) / Mode 266 (16-bit) : MOTO EZ CCTHSI

8-bit DMX	16-bit DMX	Function	8-bit/16-bit Value		Range
1	1-2	Master Intensity	0 - 255	0 - 65,535	0% - 100%
2	3-4	CCT	0 - 255	0 - 65,535	2000K - 10000K
3	5-6	Green Adjust	0 - 9 10 - 255	0 - 9 10 - 65,535	Neutral (0) Full magenta ~ Full green (-1.0 ~ +1.0)
4	7-8	Crossfade	0 - 255	0 - 65,535	0% - 100%
5	9-10	Hue	0 - 255	0 - 65,535	0° - 360°
6	11-12	Saturation	0 - 255	0 - 65,535	0% - 100%
7-8	13-14	PAN	0 - 65,535		-150° - +150°
9-10	15-16	TILT	0 - 65,535		-150° - +150°
11-12	17-18	ZOOM (Not Supported)	0 - 65,535		0 - 100 (%)

Mode 254 (8-bit) / Mode 267 (16-bit) : MOTO EZ CCTRGBW

8-bit DMX	16-bit DMX	Function	8-bit/16-bit Value		Range
1	1-2	Master Intensity	0 - 255	0 - 65,535	0% - 100%
2	3-4	CCT	0 - 255	0 - 65,535	2000K - 10000K
3	5-6	Green Adjust	0 - 9 10 - 255	0 - 9 10 - 65,535	Neutral (0) Full magenta ~ Full green (-1.0 ~ +1.0)
4	7-8	Crossfade	0 - 255	0 - 65,535	0% - 100%
5	9-10	Intensity Red	0 - 255	0 - 65,535	0% - 100%
6	11-12	Intensity Green	0 - 255	0 - 65,535	0% - 100%
7	13-14	Intensity Blue	0 - 255	0 - 65,535	0% - 100%
8	15-16	Intensity White	0 - 255	0 - 65,535	0% - 100%
9-10	17-18	PAN	0 - 65,535		-150° - +150°
11-12	19-20	TILT	0 - 65,535		-150° - +150°
13-14	21-22	ZOOM (Not Supported)	0 - 65,535		0 - 100 (%)

Mode 255 (8-bit) / Mode 268 (16-bit) : MOTO EZ CIExy

8-bit DMX	16-bit DMX	Function	8-bit/16-bit Value		Range
1	1-2	Master Intensity	0 - 255	0 - 65,535	0% - 100%
2	3-4	x	0 - 255	0 - 65,535	0.0 - 0.8
3	5-6	y	0 - 255	0 - 65,535	0.0 - 0.8
4-5	7-8	PAN	0 - 65,535		-150° - +150°
6-7	9-10	TILT	0 - 65,535		-150° - +150°
8-9	11-12	ZOOM (Not Supported)	0 - 65,535		0 - 100 (%)

Mode 256 (8-bit) / Mode 269 (16-bit) : MOTO EZ RGB

8-bit DMX	16-bit DMX	Function	8-bit/16-bit Value		Range
1	1-2	Intensity Red	0 - 255	0 - 65,535	0% - 100%
2	3-4	Intensity Green	0 - 255	0 - 65,535	0% - 100%
3	5-6	Intensity Blue	0 - 255	0 - 65,535	0% - 100%
4-5	7-8	PAN	0 - 65,535		-150° - +150°
6-7	9-10	TILT	0 - 65,535		-150° - +150°
8-9	11-12	ZOOM (Not Supported)	0 - 65,535		0 - 100 (%)

Mode 257 (8-bit) / Mode 270 (16-bit) : MOTO EZ CCTxy

8-bit DMX	16-bit DMX	Function	8-bit/16-bit Value		Range
1	1-2	Master Intensity	0 - 255	0 - 65,535	0% - 100%
2	3-4	CCT	0 - 255	0 - 65,535	2000K - 10000K
3	5-6	Green Adjust	0 - 9 10 - 255	0 - 9 10 - 65,535	Neutral (0) Full magenta ~ Full green (-1.0 ~ +1.0)
4	7-8	Crossfade	0 - 255	0 - 65,535	0% - 100%
5	9-10	x	0 - 255	0 - 65,535	0.0 - 0.8
6	11-12	y	0 - 255	0 - 65,535	0.0 - 0.8
7-8	13-14	PAN	0 - 65,535		-150° - +150°
9-10	15-16	TILT	0 - 65,535		-150° - +150°
11-12	17-18	ZOOM (Not Supported)	0 - 65,535		0 - 100 (%)

Mode 258 (8-bit) / Mode 271 (16-bit) : MOTO EZ ICTHS

8-bit DMX	16-bit DMX	Function	8-bit/16-bit Value		Range
1	1-2	Master Intensity	0 - 255	0 - 65,535	0% - 100%
2	3-4	CCT	0 - 255	0 - 65,535	2000K - 10000K
3	5-6	Green Adjust	0 - 9 10 - 255	0 - 9 10 - 65,535	Neutral (0) Full magenta ~ Full green (-1.0 ~ +1.0)
4	7-8	Hue	0 - 255	0 - 65,535	0° - 360°
5	9-10	Saturation	0 - 255	0 - 65,535	0% - 100%
6-7	11-12	PAN	0 - 65,535		-150° - +150°
8-9	13-14	TILT	0 - 65,535		-150° - +150°
10-11	15-16	ZOOM (Not Supported)	0 - 65,535		0 - 100 (%)

Mode 259 (8-bit) / Mode 272 (16-bit) : MOTO EZ ICTRGBW

8-bit DMX	16-bit DMX	Function	8-bit/16-bit Value		Range
1	1-2	Master Intensity	0 - 255	0 - 65,535	0% - 100%
2	3-4	CCT	0 - 255	0 - 65,535	2000K - 10000K
3	5-6	Green Adjust	0 - 9 10 - 255	0 - 9 10 - 65,535	Neutral (0) Full magenta ~ Full green (-1.0 ~ +1.0)
4	7-8	Intensity Red	0 - 255	0 - 65,535	0% - 100%
5	9-10	Intensity Green	0 - 255	0 - 65,535	0% - 100%
6	11-12	Intensity Blue	0 - 255	0 - 65,535	0% - 100%
7	13-14	Intensity White	0 - 255	0 - 65,535	0% - 100%
8-9	15-16	PAN	0 - 65,535		-150° - +150°
10-11	17-18	TILT	0 - 65,535		-150° - +150°
12-13	19-20	ZOOM (Not Supported)	0 - 65,535		0 - 100 (%)

Mode 260 (8-bit) / Mode 273 (16-bit) : MOTO EZ ICTxy

8-bit DMX	16-bit DMX	Function	8-bit/16-bit Value		Range
1	1-2	Master Intensity	0 - 255	0 - 65,535	0% - 100%
2	3-4	CCT	0 - 255	0 - 65,535	2000K - 10000K
3	5-6	Green Adjust	0 - 9 10 - 255	0 - 9 10 - 65,535	Neutral (0) Full magenta ~ Full green (-1.0 ~ +1.0)
4	7-8	x	0 - 255	0 - 65,535	0.0 - 0.8
5	9-10	y	0 - 255	0 - 65,535	0.0 - 0.8
6-7	11-12	PAN	0 - 65,535		-150° - +150°
8-9	13-14	TILT	0 - 65,535		-150° - +150°
10-11	15-16	ZOOM (Not Supported)	0 - 65,535		0 - 100 (%)

Mode 261 (8-bit) / Mode 274 (16-bit) : MOTO EZ 3200K

8-bit DMX	16-bit DMX	Function	8-bit/16-bit Value		Range
1	1-2	Master Intensity	0 - 255	0 - 65,535	0% - 100%
2-3	3-4	PAN	0 - 65,535		-150° - +150°
4-5	5-6	TILT	0 - 65,535		-150° - +150°
6-7	7-8	ZOOM (Not Supported)	0 - 65,535		0 - 100 (%)

Mode 262 (8-bit) / Mode 275 (16-bit) : MOTO EZ 5600K

8-bit DMX	16-bit DMX	Function	8-bit/16-bit Value		Range
1	1-2	Master Intensity	0 - 255	0 - 65,535	0% - 100%
2-3	3-4	PAN	0 - 65,535		-150° - +150°
4-5	5-6	TILT	0 - 65,535		-150° - +150°
6-7	7-8	ZOOM (Not Supported)	0 - 65,535		0 - 100 (%)

Mode 276 (8-bit) / Mode 277 (16-bit) : ALL MODES

8-bit DMX	16-bit DMX	Function	8-bit/16-bit Value		Range
1	1-2	Master Intensity	0 - 255	0 - 65,535	0% - 100%
2	3	Color Mode Selection	0 - 9 10 - 19 20 - 29 30 - 39 40 - 49 50 - 59 60 - 69 70 - 79 80 - 89 90 - 99 100 - 109 110 - 119 120 - 129 130 - 255		CCT HSI RGBW CCTHSI CCTRGBW CIExy GEL DEMO RGB CCTxy ICTHS ICTRGBW ICTxy Reserved
3	4-5	Color Parameter 1	See table below		
4	6-7	Color Parameter 2			
5	8-9	Color Parameter 3			
6	10-11	Color Parameter 4			
7	12-13	Color Parameter 5			
8	14-15	Color Parameter 6			
9	16-17	Color Parameter 7			
10	18	Strobe Frequency	0 - 9 10 - 255		Strobe off 1Hz - 25Hz
11-12	19-20	PAN	0 - 65,535		-150° - +150°
13-14	21-22	TILT	0 - 65,535		-150° - +150°
15-16	23-24	ZOOM (Not Supported)	0 - 65,535		0 - 100 (%)
17	25	Control	0 - 255		N/A

		CCT				HSI			
8-bit DMX	16-bit DMX	Function	8-bit/16-bit Value		Range	Function	8-bit/16-bit Value		Range
3	4-5	CCT	0 - 255	0 - 65,535	2000K - 10000K	Hue	0 - 255	0 - 65,535	0° - 360°
4	6-7	Green Adjust	0 - 9 10 - 255	0 - 9 10 - 65,535	Neutral (0) Full magenta - Full green (-1.0 ~ +1.0)	Saturation	0 - 255	0 - 65,535	0% - 100%
		RGBW				RGB			
8-bit DMX	16-bit DMX	Function	8-bit/16-bit Value		Range	Function	8-bit/16-bit Value		Range
3	4-5	INT Red	0 - 255	0 - 65,535	0% - 100%	INT Red	0 - 255	0 - 65,535	0% - 100%
4	6-7	INT Green	0 - 255	0 - 65,535	0% - 100%	INT Green	0 - 255	0 - 65,535	0% - 100%
5	8-9	INT Blue	0 - 255	0 - 65,535	0% - 100%	INT Blue	0 - 255	0 - 65,535	0% - 100%
6	10-11	INT White	0 - 255	0 - 65,535	0% - 100%				
		CCTRGBW				CCTHSI			
8-bit DMX	16-bit DMX	Function	8-bit/16-bit Value		Range	Function	8-bit/16-bit Value		Range
3	4-5	CCT	0 - 255	0 - 65,535	2000K - 10000K	Hue	0 - 255	0 - 65,535	0° - 360°
4	6-7	Green Adjust	0 - 9 10 - 255	0 - 9 10 - 65,535	Neutral (0) Full magenta - Full green (-1.0 ~ +1.0)	Saturation	0 - 255	0 - 65,535	0% - 100%
5	8-9	Crossfade	0 - 255	0 - 65,535	0% - 100%	Crossfade	0 - 255	0 - 65,535	0% - 100%
6	10-11	INT Red	0 - 255	0 - 65,535	0% - 100%	Hue	0 - 255	0 - 65,535	0° - 360°
7	12-13	INT Green	0 - 255	0 - 65,535	0% - 100%	Saturation	0 - 255	0 - 65,535	0% - 100%
8	14-15	INT Blue	0 - 255	0 - 65,535	0% - 100%				
9	16-17	INT White	0 - 255	0 - 65,535	0% - 100%				
		CCTxy				ICTHS			
8-bit DMX	16-bit DMX	Function	8-bit/16-bit Value		Range	Function	8-bit/16-bit Value		Range
3	4-5	CCT	0 - 255	0 - 65,535	2000K - 10000K	CCT	0 - 255	0 - 65,535	2000K - 10000K
4	6-7	Green Adjust	0 - 9 10 - 255	0 - 9 10 - 65,535	Neutral (0) Full magenta - Full green (-1.0 ~ +1.0)	Green Adjust	0 - 9 10 - 255	0 - 9 10 - 65,535	Neutral (0) Full magenta - Full green (-1.0 ~ +1.0)
5	8-9	Crossfade	0 - 255	0 - 65,535	0% - 100%	Hue	0 - 255	0 - 65,535	0° - 360°
6	10-11	x	0 - 255	0 - 65,535	0.0 - 0.8	Saturation	0 - 255	0 - 65,535	0% - 100%
7	12-13	y	0 - 255	0 - 65,535	0.0 - 0.8	Reserved	TBD		TBD

		GEL							
8-bit DMX	16-bit DMX	Function	8-bit/16-bit Value			Range			
3	4	Gel Filter	0 - 9			None			
			10 - 19			Bastard Amber			
			20 - 29			Straw			
			30 - 39			Light Amber			
			40 - 49			Light Flame			
			50 - 59			Golden Amber			
			60 - 69			Light Red			
			70 - 79			No Color Pink			
			80 - 89			Middle Rose			
			90 - 99			Light Rose Purple			
			100 - 109			Surprise Pink			
			110 - 119			No Color Blue			
			120 - 129			Daylight Blue			
			130 - 139			Primary Blue			
			140 - 149			Moss Green			
			150 - 159			Blue Green			
			160 - 169			Gel 1			
			170 - 179			Gel 2			
			180 - 189			Gel 3			
			190 - 199			Gel 4			
200 - 209			Gel 5						
210 - 255			Reserved						
4	6-7	CCT	0 - 99			3200K			
			100 - 255			6500K			
		ICTRGBW				ICTxy			
8-bit DMX	16-bit DMX	Function	8-bit/16-bit Value		Range	Function	8-bit/16-bit Value		Range
3	4-5	CCT	0 - 255	0 - 65,535	2000K - 10000K	Hue	0 - 255	0 - 65,535	0° - 360°
4	6-7	Green Adjust	0 - 9 10 - 255	0 - 9 10 - 65,535	Neutral (0) Full magenta - Full green (-1.0 ~ +1.0)	Green Adjust	0 - 9 10 - 255	0 - 9 10 - 65,535	Neutral (0) Full magenta - Full green (-1.0 ~ +1.0)
5	8-9	INT Red	0 - 255	0 - 65,535	0% - 100%	x	0 - 255	0 - 65,535	0.0 - 0.8
6	10-11	INT Green	0 - 255	0 - 65,535	0% - 100%	y	0 - 255	0 - 65,535	0.0 - 0.8
7	12-13	INT Blue	0 - 255	0 - 65,535	0% - 100%	Reserved	TBD	-	TBD
8	14-15	NT White	0 - 255	0 - 65,535	0% - 100%				
9	-	Reserved	TBD	-	TBD				
		CIExy							
8-bit DMX	16-bit DMX	Function	8-bit/16-bit Value		Range				
3	4-5	x	0 - 255	0 - 65,535	0.0 - 0.8				
4	6-7	y	0 - 255	0 - 65,535	0.0 - 0.8				

		Candle			Fireworks			Television		
8-bit DMX	16-bit DMX	Function	8-bit/16-bit Value	Range	Function	8-bit/16-bit Value	Range	Function	8-bit/16-bit Value	Range
4	6-7	Color	0 - 9 10 - 19 20 - 29	Warmer Neutral Cooler	Color	0 - 9 10 - 19 20 - 29	Color White Color + White	Mode	0 - 9 10 - 19 20 - 29 30 - 39	Action Horror News Romance
5	8-9	Speed	0 - 9 10 - 19 20 - 29 30 - 39 40 - 49	Slowest Slower Medium Faster Fastest	Speed	0 - 9 10 - 19 20 - 29 30 - 39 40 - 49	Slowest Slower Medium Faster Fastest			
		Club Light			Lightning			Cop Car		
8-bit DMX	16-bit DMX	Function	8-bit/16-bit Value	Range	Function	8-bit/16-bit Value	Range	Function	8-bit/16-bit Value	Range
4	6-7	Color	0 - 9 10 - 19 20 - 29 30 - 39 40 - 49 50 - 59 60 - 69	Red Green Blue Cyan Magenta Yellow All colors	Color	0 - 9 10 - 19 20 - 29	Warmer Neutral Cooler	Color	0 - 9 10 - 19 20 - 29 30 - 39 40 - 49 50 - 59 60 - 69 70 - 79 80 - 89 90 - 99 100 - 109	B (Blue) R (Red) A (Amber) W (White) RB RA BA BW AW RBW BRA
5	8-9	Speed	0 - 9 10 - 19 20 - 29 30 - 39 40 - 49	Slowest Slower Medium Faster Fastest	Speed	0 - 9 10 - 19 20 - 29 30 - 39 40 - 49	Slowest Slower Medium Faster Fastest	Flash Pattern	0 - 9 10 - 19 20 - 29 30 - 39	Single Double Quad Quint
		Color Chase			Paparazzi			Strobe		
8-bit DMX	16-bit DMX	Function	8-bit/16-bit Value	Range	Function	8-bit/16-bit Value	Range	Function	8-bit/16-bit Value	Range
4	6-7	Saturation	0 - 255	0% -100%	Color	0 - 9 10 - 19 20 - 29	Warmer Neutral Cooler	Hue	0 - 255	0 - 360°
5	8-9	Speed	0 - 9 10 - 19 20 - 29 30 - 39 40 - 49	Slowest Slower Medium Faster Fastest	Speed	0 - 9 10 - 19 20 - 29 30 - 39 40 - 49	Slowest Slower Medium Faster Fastest	Saturation	0 - 255	0% - 100%
6	10-11							Speed	0 - 9 10 - 19 20 - 29 30 - 39 40 - 49	Slowest Slower Medium Faster Fastest

Mode 217 (8-bit) / Mode 220 (16-bit) : MOTO PXL4 CCTHSI							
8-bit DMX	16-bit DMX	Pixel	Function	8-bit/16-bit Value		Range	
1	1-2	1	Master Intensity	0 - 255	0 - 65,535	0% - 100%	
2	3-4		CCT	0 - 255	0 - 65,535	2000K - 10000K	
3	5-6		Green Adjust	0 - 9 10 - 255	0 - 9 10 - 65,535	Neutral (0) Full magenta ~ Full green (-1.0 ~ +1.0)	
4	7-8		Crossfade	0 - 255	0 - 65,535	0% - 100%	
5	9-10		Hue	0 - 255	0 - 65,535	0° - 360°	
6	11-12		Saturation	0 - 255	0 - 65,535	0% - 100%	
7	13-14	2	Master Intensity	0 - 255	0 - 65,535	0% - 100%	
8	15-16		CCT	0 - 255	0 - 65,535	2000K - 10000K	
9	17-18		Green Adjust	0 - 9 10 - 255	0 - 9 10 - 65,535	Neutral (0) Full magenta ~ Full green (-1.0 ~ +1.0)	
10	19-20		Crossfade	0 - 255	0 - 65,535	0% - 100%	
11	21-22		Hue	0 - 255	0 - 65,535	0° - 360°	
12	23-24		Saturation	0 - 255	0 - 65,535	0% - 100%	
13	25-26	3	Master Intensity	0 - 255	0 - 65,535	0% - 100%	
14	27-28		CCT	0 - 255	0 - 65,535	2000K - 10000K	
15	29-30		Green Adjust	0 - 9 10 - 255	0 - 9 10 - 65,535	Neutral (0) Full magenta ~ Full green (-1.0 ~ +1.0)	
16	31-32		Crossfade	0 - 255	0 - 65,535	0% - 100%	
17	33-34		Hue	0 - 255	0 - 65,535	0° - 360°	
18	35-36		Saturation	0 - 255	0 - 65,535	0% - 100%	
19	37-38	4	Master Intensity	0 - 255	0 - 65,535	0% - 100%	
20	39-40		CCT	0 - 255	0 - 65,535	2000K - 10000K	
21	41-42		Green Adjust	0 - 9 10 - 255	0 - 9 10 - 65,535	Neutral (0) Full magenta ~ Full green (-1.0 ~ +1.0)	
22	43-44		Crossfade	0 - 255	0 - 65,535	0% - 100%	
23	45-46		Hue	0 - 255	0 - 65,535	0° - 360°	
24	47-48		Saturation	0 - 255	0 - 65,535	0% - 100%	
25	49		Strobe Frequency	0 - 9 10 - 255		Strobe off 1Hz - 25Hz	
26-27	50-51		PAN	0 - 255	0 - 65,535	-150° - +150°	
28-29	52-53		TILT	0 - 255	0 - 65,535	-150° - +150°	
30-31	54-55		ZOOM (Not Supported)	0 - 255	0 - 65,535	0 - 100 (%)	
32	56		Control	0 - 255	0 - 255	N/A	
33	57		Reserved for future use				

Mode 218 (8-bit) / Mode 221 (16-bit) : MOTO PXL4 CCTRGBW

8-bit DMX	16-bit DMX	Pixel	Function	8-bit/16-bit Value		Range
1	1-2	1	Master Intensity	0 - 255	0 - 65,535	0% - 100%
2	3-4		CCT	0 - 255	0 - 65,535	2000K - 10000K
3	5-6		Green Adjust	0 - 9 10 - 255	0 - 9 10 - 65,535	Neutral (0) Full magenta ~ Full green (-1.0 ~ +1.0)
4	7-8		Crossfade	0 - 255	0 - 65,535	0% - 100%
5	9-10		Intensity Red	0 - 255	0 - 65,535	0% - 100%
6	11-12		Intensity Green	0 - 255	0 - 65,535	0% - 100%
7	13-14		Intensity Blue	0 - 255	0 - 65,535	0% - 100%
8	15-16		Intensity White	0 - 255	0 - 65,535	0% - 100%
9	17-18	2	Master Intensity	0 - 255	0 - 65,535	0% - 100%
10	19-20		CCT	0 - 255	0 - 65,535	2000K - 10000K
11	21-22		Green Adjust	0 - 9 10 - 255	0 - 9 10 - 65,535	Neutral (0) Full magenta ~ Full green (-1.0 ~ +1.0)
12	23-24		Crossfade	0 - 255	0 - 65,535	0% - 100%
13	25-26		Intensity Red	0 - 255	0 - 65,535	0% - 100%
14	27-28		Intensity Green	0 - 255	0 - 65,535	0% - 100%
15	29-30		Intensity Blue	0 - 255	0 - 65,535	0% - 100%
16	31-32		Intensity White	0 - 255	0 - 65,535	0% - 100%
17	33-34	3	Master Intensity	0 - 255	0 - 65,535	0% - 100%
18	35-36		CCT	0 - 255	0 - 65,535	2000K - 10000K
19	37-38		Green Adjust	0 - 9 10 - 255	0 - 9 10 - 65,535	Neutral (0) Full magenta ~ Full green (-1.0 ~ +1.0)
20	39-40		Crossfade	0 - 255	0 - 65,535	0% - 100%
21	41-42		Intensity Red	0 - 255	0 - 65,535	0% - 100%
22	43-44		Intensity Green	0 - 255	0 - 65,535	0% - 100%
23	45-46		Intensity Blue	0 - 255	0 - 65,535	0% - 100%
24	47-48		Intensity White	0 - 255	0 - 65,535	0% - 100%
25	49-50	4	Master Intensity	0 - 255	0 - 65,535	0% - 100%
26	51-52		CCT	0 - 255	0 - 65,535	2000K - 10000K
27	53-54		Green Adjust	0 - 9 10 - 255	0 - 9 10 - 65,535	Neutral (0) Full magenta ~ Full green (-1.0 ~ +1.0)
28	55-56		Crossfade	0 - 255	0 - 65,535	0% - 100%
29	57-58		Intensity Red	0 - 255	0 - 65,535	0% - 100%
30	59-60		Intensity Green	0 - 255	0 - 65,535	0% - 100%
31	61-62		Intensity Blue	0 - 255	0 - 65,535	0% - 100%
32	63-64		Intensity White	0 - 255	0 - 65,535	0% - 100%
33	65		Strobe Frequency	0 - 9 10 - 255		Strobe off 1Hz - 25Hz
34-35	66-67		PAN	0 - 65,535		-150° - +150°
36-37	68-69		TILT	0 - 65,535		-150° - +150°
38-39	70-71		ZOOM (Not Supported)	0 - 65,535		0 - 100 (%)
40	72		Control	See control table		
41	73		Reserved for future use			

Mode 219 (8-bit) / Mode 222 (16-bit) : MOTO PXL4 CIExy

8-bit DMX	16-bit DMX	Pixel	Function	8-bit/16-bit Value		Range	
1	1-2	1	Master Intensity	0 - 255	0 - 65,535	0% - 100%	
2	3-4		x	0 - 255	0 - 65,535	0.0 - 0.8	
3	5-6		y	0 - 255	0 - 65,535	0.0 - 0.8	
4	7-8	2	Master Intensity	0 - 255	0 - 65,535	0% - 100%	
5	9-10		x	0 - 255	0 - 65,535	0.0 - 0.8	
6	11-12		y	0 - 255	0 - 65,535	0.0 - 0.8	
7	13-14	3	Master Intensity	0 - 255	0 - 65,535	0% - 100%	
8	15-16		x	0 - 255	0 - 65,535	0.0 - 0.8	
9	17-18		y	0 - 255	0 - 65,535	0.0 - 0.8	
10	19-20	4	Master Intensity	0 - 255	0 - 65,535	0% - 100%	
11	21-22		x	0 - 255	0 - 65,535	0.0 - 0.8	
12	23-24		y	0 - 255	0 - 65,535	0.0 - 0.8	
13	25		Strobe Frequency	0 - 9 10 - 255		Strobe off 1Hz - 25Hz	
14-15	26-27		PAN	0 - 65,535		-150° - +150°	
16-17	28-29		TILT	0 - 65,535		-150° - +150°	
18-19	30-31		ZOOM (Not Supported)	0 - 65,535		0 - 100 (%)	
20	32		Control	See control table			
21	33		Reserved for future use				

Mode 280 (8-bit) / Mode 284 (16-bit) : MOTO PXL4 CCTxy

8-bit DMX	16-bit DMX	Pixel	Function	8-bit/16-bit Value		Range	
1	1-2	1	Master Intensity	0 - 255	0 - 65,535	0% - 100%	
2	3-4		CCT	0 - 255	0 - 65,535	2000K - 10000K	
3	5-6		Green Adjust	0 - 9 10 - 255	0 - 9 10 - 65,535	Neutral (0) Full magenta ~ Full green (-1.0 ~ +1.0)	
4	7-8		Crossfade	0 - 255	0 - 65,535	0% - 100%	
5	9-10		x	0 - 255	0 - 65,535	0.0 - 0.8	
6	11-12		y	0 - 255	0 - 65,535	0.0 - 0.8	
7	13-14	2	Master Intensity	0 - 255	0 - 65,535	0% - 100%	
8	15-16		CCT	0 - 255	0 - 65,535	2000K - 10000K	
9	17-18		Green Adjust	0 - 9 10 - 255	0 - 9 10 - 65,535	Neutral (0) Full magenta ~ Full green (-1.0 ~ +1.0)	
10	19-20		Crossfade	0 - 255	0 - 65,535	0% - 100%	
11	21-22		x	0 - 255	0 - 65,535	0.0 - 0.8	
12	23-24		y	0 - 255	0 - 65,535	0.0 - 0.8	
13	25-26	3	Master Intensity	0 - 255	0 - 65,535	0% - 100%	
14	27-28		CCT	0 - 255	0 - 65,535	2000K - 10000K	
15	29-30		Green Adjust	0 - 9 10 - 255	0 - 9 10 - 65,535	Neutral (0) Full magenta ~ Full green (-1.0 ~ +1.0)	
16	31-32		Crossfade	0 - 255	0 - 65,535	0% - 100%	
17	33-34		x	0 - 255	0 - 65,535	0.0 - 0.8	
18	35-36		y	0 - 255	0 - 65,535	0.0 - 0.8	
19	37-38	4	Master Intensity	0 - 255	0 - 65,535	0% - 100%	
20	39-40		CCT	0 - 255	0 - 65,535	2000K - 10000K	
21	41-42		Green Adjust	0 - 9 10 - 255	0 - 9 10 - 65,535	Neutral (0) Full magenta ~ Full green (-1.0 ~ +1.0)	
22	43-44		Crossfade	0 - 255	0 - 65,535	0% - 100%	
23	45-46		x	0 - 255	0 - 65,535	0.0 - 0.8	
24	47-48		y	0 - 255	0 - 65,535	0.0 - 0.8	
25	49		Strobe Frequency	0 - 9 10 - 255		Strobe off 1Hz - 25Hz	
26-27	50-51		PAN	0 - 65,535		-150° - +150°	
28-29	52-53		TILT	0 - 65,535		-150° - +150°	
30-31	54-55		ZOOM (Not Supported)	0 - 65,535		0 - 100 (%)	
32	56		Control	See control table			
33	57		Reserved for future use				

Mode 281 (8-bit) / Mode 285 (16-bit) : MOTO PXL4 ICTHS

8-bit DMX	16-bit DMX	Pixel	Function	8-bit/16-bit Value		Range	
1	1-2	1	Master Intensity	0 - 255	0 - 65,535	0% - 100%	
2	3-4		CCT	0 - 255	0 - 65,535	2000K - 10000K	
3	5-6		Green Adjust	0 - 9 10 - 255	0 - 9 10 - 65,535	Neutral (0) Full magenta ~ Full green (-1.0 ~ +1.0)	
4	7-8		Hue	0 - 255	0 - 65,535	0° - 360°	
5	9-10		Saturation	0 - 255	0 - 65,535	0% - 100%	
6	11-12	2	Master Intensity	0 - 255	0 - 65,535	0% - 100%	
7	13-14		CCT	0 - 255	0 - 65,535	2000K - 10000K	
8	15-16		Green Adjust	0 - 9 10 - 255	0 - 9 10 - 65,535	Neutral (0) Full magenta ~ Full green (-1.0 ~ +1.0)	
9	17-18		Hue	0 - 255	0 - 65,535	0° - 360°	
10	19-20		Saturation	0 - 255	0 - 65,535	0% - 100%	
11	21-22	3	Master Intensity	0 - 255	0 - 65,535	0% - 100%	
12	23-24		CCT	0 - 255	0 - 65,535	2000K - 10000K	
13	25-26		Green Adjust	0 - 9 10 - 255	0 - 9 10 - 65,535	Neutral (0) Full magenta ~ Full green (-1.0 ~ +1.0)	
14	27-28		Hue	0 - 255	0 - 65,535	0° - 360°	
15	29-30		Saturation	0 - 255	0 - 65,535	0% - 100%	
16	31-32	4	Master Intensity	0 - 255	0 - 65,535	0% - 100%	
17	33-34		CCT	0 - 255	0 - 65,535	2000K - 10000K	
18	35-36		Green Adjust	0 - 9 10 - 255	0 - 9 10 - 65,535	Neutral (0) Full magenta ~ Full green (-1.0 ~ +1.0)	
19	37-38		Hue	0 - 255	0 - 65,535	0° - 360°	
20	39-40		Saturation	0 - 255	0 - 65,535	0% - 100%	
21	41		Strobe Frequency	0 - 9 10 - 255		Strobe off 1Hz - 25Hz	
22-23	42-43		PAN		0 - 65,535	-150° - +150°	
24-25	44-45		TILT		0 - 65,535	-150° - +150°	
26-27	46-47		ZOOM (Not Supported)		0 - 65,535	0 - 100 (%)	
28	48		Control	See control table			
29	49		Reserved for future use				

Mode 282 (8-bit) / Mode 286 (16-bit) : MOTO PXL4 ICTRGBW

8-bit DMX	16-bit DMX	Pixel	Function	8-bit/16-bit Value		Range	
1	1-2	1	Master Intensity	0 - 255	0 - 65,535	0% - 100%	
2	3-4		CCT	0 - 255	0 - 65,535	2000K - 10000K	
3	5-6		Green Adjust	0 - 9 10 - 255	0 - 9 10 - 65,535	Neutral (0) Full magenta ~ Full green (-1.0 ~ +1.0)	
4	7-8		Intensity Red	0 - 255	0 - 65,535	0% - 100%	
5	9-10		Intensity Green	0 - 255	0 - 65,535	0% - 100%	
6	11-12		Intensity Blue	0 - 255	0 - 65,535	0% - 100%	
7	13-14		Intensity White	0 - 255	0 - 65,535	0% - 100%	
8	15-16	2	Master Intensity	0 - 255	0 - 65,535	0% - 100%	
9	17-18		CCT	0 - 255	0 - 65,535	2000K - 10000K	
10	19-20		Green Adjust	0 - 9 10 - 255	0 - 9 10 - 65,535	Neutral (0) Full magenta ~ Full green (-1.0 ~ +1.0)	
11	21-22		Intensity Red	0 - 255	0 - 65,535	0% - 100%	
12	23-24		Intensity Green	0 - 255	0 - 65,535	0% - 100%	
13	25-26		Intensity Blue	0 - 255	0 - 65,535	0% - 100%	
14	27-28		Intensity White	0 - 255	0 - 65,535	0% - 100%	
15	29-30	3	Master Intensity	0 - 255	0 - 65,535	0% - 100%	
16	31-32		CCT	0 - 255	0 - 65,535	2000K - 10000K	
17	33-34		Green Adjust	0 - 9 10 - 255	0 - 9 10 - 65,535	Neutral (0) Full magenta ~ Full green (-1.0 ~ +1.0)	
18	35-36		Intensity Red	0 - 255	0 - 65,535	0% - 100%	
19	37-38		Intensity Green	0 - 255	0 - 65,535	0% - 100%	
20	39-40		Intensity Blue	0 - 255	0 - 65,535	0% - 100%	
21	41-42		Intensity White	0 - 255	0 - 65,535	0% - 100%	
22	43-44	4	Master Intensity	0 - 255	0 - 65,535	0% - 100%	
23	45-46		CCT	0 - 255	0 - 65,535	2000K - 10000K	
24	47-48		Green Adjust	0 - 9 10 - 255	0 - 9 10 - 65,535	Neutral (0) Full magenta ~ Full green (-1.0 ~ +1.0)	
25	49-50		Intensity Red	0 - 255	0 - 65,535	0% - 100%	
26	51-52		Intensity Green	0 - 255	0 - 65,535	0% - 100%	
27	53-54		Intensity Blue	0 - 255	0 - 65,535	0% - 100%	
28	55-56		Intensity White	0 - 255	0 - 65,535	0% - 100%	
29	57		Strobe Frequency	0 - 9 10 - 255		Strobe off 1Hz - 25Hz	
30-31	58-59		PAN	0 - 65,535		-150° - +150°	
32-33	60-61		TILT	0 - 65,535		-150° - +150°	
34-35	62-63		ZOOM (Not Supported)	0 - 65,535		0 - 100 (%)	
36	64		Control	See control table			
37	65		Reserved for future use				

Mode 283 (8-bit) / Mode 287 (16-bit) : MOTO PXL4 ICTxy							
8-bit DMX	16-bit DMX	Pixel	Function	8-bit/16-bit Value		Range	
1	1-2	1	Master Intensity	0 - 255	0 - 65,535	0% - 100%	
2	3-4		CCT	0 - 255	0 - 65,535	2000K - 10000K	
3	5-6		Green Adjust	0 - 9 10 - 255	0 - 9 10 - 65,535	Neutral (0) Full magenta ~ Full green (-1.0 ~ +1.0)	
4	7-8		x	0 - 255	0 - 65,535	0.0 - 0.8	
5	9-10		y	0 - 255	0 - 65,535	0.0 - 0.8	
6	11-12	2	Master Intensity	0 - 255	0 - 65,535	0% - 100%	
7	13-14		CCT	0 - 255	0 - 65,535	2000K - 10000K	
8	15-16		Green Adjust	0 - 9 10 - 255	0 - 9 10 - 65,535	Neutral (0) Full magenta ~ Full green (-1.0 ~ +1.0)	
9	17-18		x	0 - 255	0 - 65,535	0.0 - 0.8	
10	19-20		y	0 - 255	0 - 65,535	0.0 - 0.8	
11	21-22	3	Master Intensity	0 - 255	0 - 65,535	0% - 100%	
12	23-24		CCT	0 - 255	0 - 65,535	2000K - 10000K	
13	25-26		Green Adjust	0 - 9 10 - 255	0 - 9 10 - 65,535	Neutral (0) Full magenta ~ Full green (-1.0 ~ +1.0)	
14	27-28		x	0 - 255	0 - 65,535	0.0 - 0.8	
15	29-30		y	0 - 255	0 - 65,535	0.0 - 0.8	
16	31-32	4	Master Intensity	0 - 255	0 - 65,535	0% - 100%	
17	33-34		CCT	0 - 255	0 - 65,535	2000K - 10000K	
18	35-36		Green Adjust	0 - 9 10 - 255	0 - 9 10 - 65,535	Neutral (0) Full magenta ~ Full green (-1.0 ~ +1.0)	
19	37-38		x	0 - 255	0 - 65,535	0.0 - 0.8	
20	39-40		y	0 - 255	0 - 65,535	0.0 - 0.8	
21	41		Strobe Frequency	0 - 9 10 - 255		Strobe off 1Hz - 25Hz	
22-23	42-43		PAN		0 - 65,535	-150° - +150°	
24-25	44-45		TILT		0 - 65,535	-150° - +150°	
26-27	46-47		ZOOM (Not Supported)		0 - 65,535	0 - 100 (%)	
28	48		Control	See control table			
29	49		Reserved for future use				

Mode 288 (8-bit) / Mode 292 (16-bit) : MOTO PXL4 EZCCT

8-bit DMX	16-bit DMX	Pixel	Function	8-bit/16-bit Value		Range
1	1-2	1	Master Intensity	0 - 255	0 - 65,535	0% - 100%
2	3-4		CCT	0 - 255	0 - 65,535	2000K - 10000K
3	5-6		Green Adjust	0 - 9 10 - 255	0 - 9 10 - 65,535	Neutral (0) Full magenta ~ Full green (-1.0 ~ +1.0)
4	7-8	2	Master Intensity	0 - 255	0 - 65,535	0% - 100%
5	9-10		CCT	0 - 255	0 - 65,535	2000K - 10000K
6	11-12		Green Adjust	0 - 9 10 - 255	0 - 9 10 - 65,535	Neutral (0) Full magenta ~ Full green (-1.0 ~ +1.0)
7	13-14	3	Master Intensity	0 - 255	0 - 65,535	0% - 100%
8	15-16		CCT	0 - 255	0 - 65,535	2000K - 10000K
9	17-18		Green Adjust	0 - 9 10 - 255	0 - 9 10 - 65,535	Neutral (0) Full magenta ~ Full green (-1.0 ~ +1.0)
10	19-20	4	Master Intensity	0 - 255	0 - 65,535	0% - 100%
11	21-22		CCT	0 - 255	0 - 65,535	2000K - 10000K
12	23-24		Green Adjust	0 - 9 10 - 255	0 - 9 10 - 65,535	Neutral (0) Full magenta ~ Full green (-1.0 ~ +1.0)
13-14	25-26		PAN	0 - 65,535		-150° - +150°
15-16	27-28		TILT	0 - 65,535		-150° - +150°
17-18	29-30		ZOOM (Not Supported)	0 - 65,535		0 - 100 (%)

Mode 289 (8-bit) / Mode 293 (16-bit) : MOTO PXL4 EZ HSI

8-bit DMX	16-bit DMX	Pixel	Function	8-bit/16-bit Value		Range
1	1-2	1	Master Intensity	0 - 255	0 - 65,535	0% - 100%
2	3-4		Hue	0 - 255	0 - 65,535	0° - 360°
3	5-6		Saturation	0 - 255	0 - 65,535	0% - 100%
4	7-8	2	Master Intensity	0 - 255	0 - 65,535	0% - 100%
5	9-10		Hue	0 - 255	0 - 65,535	0° - 360°
6	11-12		Saturation	0 - 255	0 - 65,535	0% - 100%
7	13-14	3	Master Intensity	0 - 255	0 - 65,535	0% - 100%
8	15-16		Hue	0 - 255	0 - 65,535	0° - 360°
9	17-18		Saturation	0 - 255	0 - 65,535	0% - 100%
10	19-20	4	Master Intensity	0 - 255	0 - 65,535	0% - 100%
11	21-22		Hue	0 - 255	0 - 65,535	0° - 360°
12	23-24		Saturation	0 - 255	0 - 65,535	0% - 100%
13-14	25-26		PAN	0 - 65,535		-150° - +150°
15-16	27-28		TILT	0 - 65,535		-150° - +150°
17-18	29-30		ZOOM (Not Supported)	0 - 65,535		0 - 100 (%)

Mode 290 (8-bit) / Mode 294 (16-bit) : MOTO PXL4 EZ RGBW						
8-bit DMX	16-bit DMX	Pixel	Function	8-bit/16-bit Value		Range
1	1-2	1	Master Intensity	0 - 255	0 - 65,535	0% - 100%
2	3-4		Intensity Red	0 - 255	0 - 65,535	0% - 100%
3	5-6		Intensity Green	0 - 255	0 - 65,535	0% - 100%
4	7-8		Intensity Blue	0 - 255	0 - 65,535	0% - 100%
5	9-10		Intensity White	0 - 255	0 - 65,535	0% - 100%
6	11-12	2	Master Intensity	0 - 255	0 - 65,535	0% - 100%
7	13-14		Intensity Red	0 - 255	0 - 65,535	0% - 100%
8	15-16		Intensity Green	0 - 255	0 - 65,535	0% - 100%
9	17-18		Intensity Blue	0 - 255	0 - 65,535	0% - 100%
10	19-20		Intensity White	0 - 255	0 - 65,535	0% - 100%
11	21-22	3	Master Intensity	0 - 255	0 - 65,535	0% - 100%
12	23-24		Intensity Red	0 - 255	0 - 65,535	0% - 100%
13	25-26		Intensity Green	0 - 255	0 - 65,535	0% - 100%
14	27-28		Intensity Blue	0 - 255	0 - 65,535	0% - 100%
15	29-30		Intensity White	0 - 255	0 - 65,535	0% - 100%
16	31-32	4	Master Intensity	0 - 255	0 - 65,535	0% - 100%
17	33-34		Intensity Red	0 - 255	0 - 65,535	0% - 100%
18	35-36		Intensity Green	0 - 255	0 - 65,535	0% - 100%
19	37-38		Intensity Blue	0 - 255	0 - 65,535	0% - 100%
20	39-40		Intensity White	0 - 255	0 - 65,535	0% - 100%
21-22	41-42		PAN	0 - 65,535		-150° - +150°
23-24	43-44		TILT	0 - 65,535		-150° - +150°
25-26	45-46		ZOOM (Not Supported)	0 - 65,535		0 - 100 (%)

Mode 291 (8-bit) / Mode 295 (16-bit) : MOTO PXL4 EZ RGB						
8-bit DMX	16-bit DMX	Pixel	Function	8-bit/16-bit Value		Range
1	1-2	1	Intensity Red	0 - 255	0 - 65,535	0% - 100%
2	3-4		Intensity Green	0 - 255	0 - 65,535	0% - 100%
3	5-6		Intensity Blue	0 - 255	0 - 65,535	0% - 100%
4	7-8	2	Intensity Red	0 - 255	0 - 65,535	0% - 100%
5	9-10		Intensity Green	0 - 255	0 - 65,535	0% - 100%
6	11-12		Intensity Blue	0 - 255	0 - 65,535	0% - 100%
7	13-14	3	Intensity Red	0 - 255	0 - 65,535	0% - 100%
8	15-16		Intensity Green	0 - 255	0 - 65,535	0% - 100%
9	17-18		Intensity Blue	0 - 255	0 - 65,535	0% - 100%
10	19-20	4	Intensity Red	0 - 255	0 - 65,535	0% - 100%
11	21-22		Intensity Green	0 - 255	0 - 65,535	0% - 100%
12	23-24		Intensity Blue	0 - 255	0 - 65,535	0% - 100%
13-14	25-26		PAN	0 - 65,535		-150° - +150°
15-16	27-28		TILT	0 - 65,535		-150° - +150°
17-18	29-30		ZOOM (Not Supported)	0 - 65,535		0 - 100 (%)

Mode 300 (8-bit) / Mode 303 (16-bit) : MOTO PXL16 CCTHSI

8-bit DMX		16-bit DMX		Function	8-bit/16-bit Value		Range
Pixel 1	Pixel 2	Pixel 1	Pixel 2				
1	7	1-2	13-14	Master Intensity	0 - 255	0 - 65, 535	0% - 100%
2	8	3-4	15-16	CCT	0 - 255	0 - 65, 535	2000K - 10000K
3	9	5-6	17-18	Green Adjust	0 - 9 10 - 255	0 - 9 10 - 65, 535	Neutral (0) Full magenta ~ Full green (-1.0 ~ +1.0)
4	10	7-8	19-20	Crossfade	0 - 255	0 - 65, 535	0% - 100%
5	11	9-10	21-22	Hue	0 - 255	0 - 65, 535	0° - 360°
6	12	11-12	23-24	Saturation	0 - 255	0 - 65, 535	0% - 100%
Pixel 3	Pixel 4	Pixel 3	Pixel 4				
13	19	25-26	37-38	Master Intensity	0 - 255	0 - 65, 535	0% - 100%
14	20	27-28	39-40	CCT	0 - 255	0 - 65, 535	2000K - 10000K
15	21	29-30	41-42	Green Adjust	0 - 9 10 - 255	0 - 9 10 - 65, 535	Neutral (0) Full magenta ~ Full green (-1.0 ~ +1.0)
16	22	31-32	43-44	Crossfade	0 - 255	0 - 65, 535	0% - 100%
17	23	33-34	45-46	Hue	0 - 255	0 - 65, 535	0° - 360°
18	24	35-36	47-48	Saturation	0 - 255	0 - 65, 535	0% - 100%
Pixel 5	Pixel 6	Pixel 5	Pixel 6				
25	31	49-50	61-62	Master Intensity	0 - 255	0 - 65, 535	0% - 100%
26	32	51-52	63-64	CCT	0 - 255	0 - 65, 535	2000K - 10000K
27	33	53-54	65-66	Green Adjust	0 - 9 10 - 255	0 - 9 10 - 65, 535	Neutral (0) Full magenta ~ Full green (-1.0 ~ +1.0)
28	34	55-56	67-68	Crossfade	0 - 255	0 - 65, 535	0% - 100%
29	35	57-58	69-70	Hue	0 - 255	0 - 65, 535	0° - 360°
30	36	59-60	71-72	Saturation	0 - 255	0 - 65, 535	0% - 100%
Pixel 7	Pixel 8	Pixel 7	Pixel 8				
37	43	73-74	85-86	Master Intensity	0 - 255	0 - 65, 535	0% - 100%
38	44	75-76	87-88	CCT	0 - 255	0 - 65, 535	2000K - 10000K
39	45	77-78	89-90	Green Adjust	0 - 9 10 - 255	0 - 9 10 - 65, 535	Neutral (0) Full magenta ~ Full green (-1.0 ~ +1.0)
40	46	79-80	91-92	Crossfade	0 - 255	0 - 65, 535	0% - 100%
41	47	81-82	93-94	Hue	0 - 255	0 - 65, 535	0° - 360°
42	48	83-84	95-96	Saturation	0 - 255	0 - 65, 535	0% - 100%
Pixel 9	Pixel 10	Pixel 9	Pixel 10				
49	55	97-98	109-110	Master Intensity	0 - 255	0 - 65, 535	0% - 100%
50	56	99-100	111-112	CCT	0 - 255	0 - 65, 535	2000K - 10000K
51	57	101-102	113-114	Green Adjust	0 - 9 10 - 255	0 - 9 10 - 65, 535	Neutral (0) Full magenta ~ Full green (-1.0 ~ +1.0)
52	58	103-104	115-116	Crossfade	0 - 255	0 - 65, 535	0% - 100%
53	59	105-106	117-118	Hue	0 - 255	0 - 65, 535	0° - 360°
54	60	107-108	119-120	Saturation	0 - 255	0 - 65, 535	0% - 100%

Mode 300 (8-bit) / Mode 303 (16-bit) : MOTO PXL16 CCTHSI

8-bit DMX		16-bit DMX		Function	8-bit/16-bit Value		Range
Pixel 11	Pixel 12	Pixel 11	Pixel 12				
61	67	121-122	133-134	Master Intensity	0 - 255	0 - 65,535	0% - 100%
62	68	123-124	135-136	CCT	0 - 255	0 - 65,535	2000K - 10000K
63	69	125-126	137-138	Green Adjust	0 - 9 10 - 255	0 - 9 10 - 65,535	Neutral (0) Full magenta ~ Full green (-1.0 ~ +1.0)
64	70	127-128	139-140	Crossfade	0 - 255	0 - 65,535	0% - 100%
65	71	129-130	141-142	Hue	0 - 255	0 - 65,535	0° - 360°
66	72	131-132	143-144	Saturation	0 - 255	0 - 65,535	0% - 100%
Pixel 13	Pixel 14	Pixel 13	Pixel 14				
73	79	145-146	157-158	Master Intensity	0 - 255	0 - 65,535	0% - 100%
74	80	147-148	159-160	CCT	0 - 255	0 - 65,535	2000K - 10000K
75	81	149-150	161-162	Green Adjust	0 - 9 10 - 255	0 - 9 10 - 65,535	Neutral (0) Full magenta ~ Full green (-1.0 ~ +1.0)
76	82	151-152	163-164	Crossfade	0 - 255	0 - 65,535	0% - 100%
77	83	153-154	165-166	Hue	0 - 255	0 - 65,535	0° - 360°
78	84	155-156	167-168	Saturation	0 - 255	0 - 65,535	0% - 100%
Pixel 15	Pixel 16	Pixel 15	Pixel 16				
85	91	169-170	181-182	Master Intensity	0 - 255	0 - 65,535	0% - 100%
86	92	171-172	183-184	CCT	0 - 255	0 - 65,535	2000K - 10000K
87	93	173-174	185-186	Green Adjust	0 - 9 10 - 255	0 - 9 10 - 65,535	Neutral (0) Full magenta ~ Full green (-1.0 ~ +1.0)
88	94	175-176	187-188	Crossfade	0 - 255	0 - 65,535	0% - 100%
89	95	177-178	189-190	Hue	0 - 255	0 - 65,535	0° - 360°
90	96	179-180	191-192	Saturation	0 - 255	0 - 65,535	0% - 100%
97		193		Strobe Frequency	0 - 9 10 - 255		Strobe off 1Hz - 25Hz
98-99		194-195		PAN	0 - 65,535		-150° - +150°
100-101		196-197		TILT	0 - 65,535		-150° - +150°
102-103		198-199		ZOOM (Not Supported)	0 - 65,535		0 - 100 (%)
104		200		Control	See control table		
105		201		Reserved for future use			

Mode 301 (8-bit) / Mode 304 (16-bit) : MOTO PXL16 CCTRGBW

8-bit DMX		16-bit DMX		Function	8-bit/16-bit Value		Range
Pixel 1	Pixel 2	Pixel 1	Pixel 2				
1	9	1-2	17-18	Master Intensity	0 - 255	0 - 65,535	0% - 100%
2	10	3-4	19-20	CCT	0 - 255	0 - 65,535	2000K - 10000K
3	11	5-6	21-22	Green Adjust	0 - 9 10 - 255	0 - 9 10 - 65,535	Neutral (0) Full magenta ~ Full green (-1.0 ~ +1.0)
4	12	7-8	23-24	Crossfade	0 - 255	0 - 65,535	0% - 100%
5	13	9-10	25-26	Intensity Red	0 - 255	0 - 65,535	0% - 100%
6	14	11-12	27-28	Intensity Green	0 - 255	0 - 65,535	0% - 100%
7	15	13-14	29-30	Intensity Blue	0 - 255	0 - 65,535	0% - 100%
8	16	15-16	31-32	Intensity White	0 - 255	0 - 65,535	0% - 100%
Pixel 3	Pixel 4	Pixel 3	Pixel 4				
17	25	33-34	49-50	Master Intensity	0 - 255	0 - 65,535	0% - 100%
18	26	35-36	51-52	CCT	0 - 255	0 - 65,535	2000K - 10000K
19	27	37-38	53-54	Green Adjust	0 - 9 10 - 255	0 - 9 10 - 65,535	Neutral (0) Full magenta ~ Full green (-1.0 ~ +1.0)
20	28	39-40	55-56	Crossfade	0 - 255	0 - 65,535	0% - 100%
21	29	41-42	57-58	Intensity Red	0 - 255	0 - 65,535	0% - 100%
22	30	43-44	59-60	Intensity Green	0 - 255	0 - 65,535	0% - 100%
23	31	45-46	61-62	Intensity Blue	0 - 255	0 - 65,535	0% - 100%
24	32	47-48	63-64	Intensity White	0 - 255	0 - 65,535	0% - 100%
Pixel 5	Pixel 6	Pixel 5	Pixel 6				
33	41	65-66	81-82	Master Intensity	0 - 255	0 - 65,535	0% - 100%
34	42	67-68	83-84	CCT	0 - 255	0 - 65,535	2000K - 10000K
35	43	69-70	85-86	Green Adjust	0 - 9 10 - 255	0 - 9 10 - 65,535	Neutral (0) Full magenta ~ Full green (-1.0 ~ +1.0)
36	44	71-72	87-88	Crossfade	0 - 255	0 - 65,535	0% - 100%
37	45	73-74	89-90	Intensity Red	0 - 255	0 - 65,535	0% - 100%
38	46	75-76	91-92	Intensity Green	0 - 255	0 - 65,535	0% - 100%
39	47	77-78	93-94	Intensity Blue	0 - 255	0 - 65,535	0% - 100%
40	48	79-80	95-96	Intensity White	0 - 255	0 - 65,535	0% - 100%
Pixel 7	Pixel 8	Pixel 7	Pixel 8				
49	57	97-98	113-114	Master Intensity	0 - 255	0 - 65,535	0% - 100%
50	58	99-100	115-116	CCT	0 - 255	0 - 65,535	2000K - 10000K
51	59	101-102	117-118	Green Adjust	0 - 9 10 - 255	0 - 9 10 - 65,535	Neutral (0) Full magenta ~ Full green (-1.0 ~ +1.0)
52	60	103-104	119-120	Crossfade	0 - 255	0 - 65,535	0% - 100%
53	61	105-106	121-122	Intensity Red	0 - 255	0 - 65,535	0% - 100%
54	62	107-108	123-124	Intensity Green	0 - 255	0 - 65,535	0% - 100%
55	63	109-110	125-126	Intensity Blue	0 - 255	0 - 65,535	0% - 100%
56	64	111-112	127-128	Intensity White	0 - 255	0 - 65,535	0% - 100%

Mode 301 (8-bit) / Mode 304 (16-bit) : MOTO PXL16 CCTRGBW

8-bit DMX		16-bit DMX		Function	8-bit/16-bit Value		Range
Pixel 9	Pixel 10	Pixel 9	Pixel 10				
65	73	129-130	145-146	Master Intensity	0 - 255	0 - 65,535	0% - 100%
66	74	131-132	147-148	CCT	0 - 255	0 - 65,535	2000K - 10000K
67	75	133-134	149-150	Green Adjust	0 - 9 10 - 255	0 - 9 10 - 65,535	Neutral (0) Full magenta ~ Full green (-1.0 ~ +1.0)
68	76	135-136	151-152	Crossfade	0 - 255	0 - 65,535	0% - 100%
69	77	137-138	153-154	Intensity Red	0 - 255	0 - 65,535	0% - 100%
70	78	139-140	155-156	Intensity Green	0 - 255	0 - 65,535	0% - 100%
71	79	141-142	157-158	Intensity Blue	0 - 255	0 - 65,535	0% - 100%
72	80	143-144	159-160	Intensity White	0 - 255	0 - 65,535	0% - 100%
Pixel 11	Pixel 12	Pixel 11	Pixel 12				
81	89	161-162	177-178	Master Intensity	0 - 255	0 - 65,535	0% - 100%
82	90	163-164	179-180	CCT	0 - 255	0 - 65,535	2000K - 10000K
83	91	165-166	181-182	Green Adjust	0 - 9 10 - 255	0 - 9 10 - 65,535	Neutral (0) Full magenta ~ Full green (-1.0 ~ +1.0)
84	92	167-168	183-184	Crossfade	0 - 255	0 - 65,535	0% - 100%
85	93	169-170	185-186	Intensity Red	0 - 255	0 - 65,535	0% - 100%
86	94	171-172	187-188	Intensity Green	0 - 255	0 - 65,535	0% - 100%
87	95	173-174	189-190	Intensity Blue	0 - 255	0 - 65,535	0% - 100%
88	96	175-176	191-192	Intensity White	0 - 255	0 - 65,535	0% - 100%
Pixel 13	Pixel 14	Pixel 13	Pixel 14				
97	105	193-194	209-210	Master Intensity	0 - 255	0 - 65,535	0% - 100%
98	106	195-196	211-212	CCT	0 - 255	0 - 65,535	2000K - 10000K
99	107	197-198	213-214	Green Adjust	0 - 9 10 - 255	0 - 9 10 - 65,535	Neutral (0) Full magenta ~ Full green (-1.0 ~ +1.0)
100	108	199-200	215-216	Crossfade	0 - 255	0 - 65,535	0% - 100%
101	109	201-202	217-218	Intensity Red	0 - 255	0 - 65,535	0% - 100%
102	110	203-204	219-220	Intensity Green	0 - 255	0 - 65,535	0% - 100%
103	111	205-206	221-222	Intensity Blue	0 - 255	0 - 65,535	0% - 100%
104	112	207-208	223-224	Intensity White	0 - 255	0 - 65,535	0% - 100%
Pixel 15	Pixel 16	Pixel 15	Pixel 16				
113	121	225-226	241-242	Master Intensity	0 - 255	0 - 65,535	0% - 100%
114	122	227-228	243-244	CCT	0 - 255	0 - 65,535	2000K - 10000K
115	123	229-230	245-246	Green Adjust	0 - 9 10 - 255	0 - 9 10 - 65,535	Neutral (0) Full magenta ~ Full green (-1.0 ~ +1.0)
116	124	231-232	247-248	Crossfade	0 - 255	0 - 65,535	0% - 100%
117	125	233-234	249-250	Intensity Red	0 - 255	0 - 65,535	0% - 100%
118	126	235-236	251-252	Intensity Green	0 - 255	0 - 65,535	0% - 100%
119	127	237-238	253-254	Intensity Blue	0 - 255	0 - 65,535	0% - 100%
120	128	239-240	255-256	Intensity White	0 - 255	0 - 65,535	0% - 100%

Mode 301 (8-bit) / Mode 304 (16-bit) : MOTO PXL16 CCTRGBW

8-bit DMX	16-bit DMX	Function	8-bit/16-bit Value	Range
129	257	Strobe Frequency	0 - 9 10 - 255	Strobe off 1Hz - 25Hz
130-131	258-259	PAN	0 - 65,535	-150° - +150°
132-133	260-261	TILT	0 - 65,535	-150° - +150°
134-135	262-263	ZOOM (Not Supported)	0 - 65,535	0 - 100 (%)
136	264	Control	See control table	
137	265	Reserved for future use		

Mode 302 (8-bit) / Mode 305 (16-bit) : MOTO PXL16 CIExy

8-bit DMX		16-bit DMX		Function	8-bit/16-bit Value		Range
Pixel 1	Pixel 2	Pixel 1	Pixel 2				
1	4	1-2	7-8	MasterIntensity	0 - 255	0 - 65,535	0% - 100%
2	5	3-4	9-10	x	0 - 255	0 - 65,535	0.0 - 0.8
3	6	5-6	11-12	y	0 - 255	0 - 65,535	0.0 - 0.8
Pixel 3	Pixel 4	Pixel 3	Pixel 4				
7	10	13-14	19-20	MasterIntensity	0 - 255	0 - 65,535	0% - 100%
8	11	15-16	21-22	x	0 - 255	0 - 65,535	0.0 - 0.8
9	12	17,18	23-24	y	0 - 255	0 - 65,535	0.0 - 0.8
Pixel 5	Pixel 6	Pixel 5	Pixel 6				
13	16	25-26	31-32	MasterIntensity	0 - 255	0 - 65,535	0% - 100%
14	17	27-28	33-34	x	0 - 255	0 - 65,535	0.0 - 0.8
15	18	29-30	35-36	y	0 - 255	0 - 65,535	0.0 - 0.8
Pixel 7	Pixel 8	Pixel 7	Pixel 8				
19	22	37-38	43-44	MasterIntensity	0 - 255	0 - 65,535	0% - 100%
20	23	39-40	45-46	x	0 - 255	0 - 65,535	0.0 - 0.8
21	24	41-42	47-48	y	0 - 255	0 - 65,535	0.0 - 0.8
Pixel 9	Pixel 10	Pixel 9	Pixel 10				
25	28	49-50	55-56	MasterIntensity	0 - 255	0 - 65,535	0% - 100%
26	29	51-52	57-58	x	0 - 255	0 - 65,535	0.0 - 0.8
27	30	53-54	59-60	y	0 - 255	0 - 65,535	0.0 - 0.8
Pixel 11	Pixel 12	Pixel 11	Pixel 12				
31	34	61-62	67-68	MasterIntensity	0 - 255	0 - 65,535	0% - 100%
32	35	63-64	69-70	x	0 - 255	0 - 65,535	0.0 - 0.8
33	36	65-66	71-72	y	0 - 255	0 - 65,535	0.0 - 0.8
Pixel 13	Pixel 14	Pixel 13	Pixel 14				
37	40	73-74	79-80	MasterIntensity	0 - 255	0 - 65,535	0% - 100%
38	41	75-76	81-82	x	0 - 255	0 - 65,535	0.0 - 0.8
39	42	77-78	83-84	y	0 - 255	0 - 65,535	0.0 - 0.8
Pixel 15	Pixel 16	Pixel 15	Pixel 16				
43	46	85-86	91-92	MasterIntensity	0 - 255	0 - 65,535	0% - 100%
44	47	87-88	93-94	x	0 - 255	0 - 65,535	0.0 - 0.8
45	48	89-90	95-96	y	0 - 255	0 - 65,535	0.0 - 0.8
49	97			Strobe Frequency	0 - 9 10 - 255		Strobe off 1Hz - 25Hz
50-51	98-99			PAN	0 - 65,535		-150° - +150°
52-53	100-101			TILT	0 - 65,535		-150° - +150°
54-55	102-103			ZOOM (Not Supported)	0 - 65,535		0 - 100 (%)
56	104			Control	See control table		
57	105			Reserved for future use			

Mode 306 (8-bit) / Mode 310 (16-bit) : MOTO PXL16 CCTxy

8-bit DMX		16-bit DMX		Function	8-bit/16-bit Value		Range
Pixel 1	Pixel 2	Pixel 1	Pixel 2				
1	7	1-2	13-14	Master Intensity	0 - 255	0 - 65,535	0% - 100%
2	8	3-4	15-16	CCT	0 - 255	0 - 65,535	2000K - 10000K
3	9	5-6	17-18	Green Adjust	0 - 9 10 - 255	0 - 9 10 - 65,535	Neutral (0) Full magenta ~ Full green (-1.0 ~ +1.0)
4	10	7-8	19-20	Crossfade	0 - 255	0 - 65,535	0% - 100%
5	11	9-10	21-22	x	0 - 255	0 - 65,535	0.0 - 0.8
6	12	11-12	23-24	y	0 - 255	0 - 65,535	0.0 - 0.8
Pixel 3	Pixel 4	Pixel 3	Pixel 4				
13	19	25-26	37-38	Master Intensity	0 - 255	0 - 65,535	0% - 100%
14	20	27-28	39-40	CCT	0 - 255	0 - 65,535	2000K - 10000K
15	21	29-30	41-42	Green Adjust	0 - 9 10 - 255	0 - 9 10 - 65,535	Neutral (0) Full magenta ~ Full green (-1.0 ~ +1.0)
16	22	31-32	43-44	Crossfade	0 - 255	0 - 65,535	0% - 100%
17	23	33-34	45-46	x	0 - 255	0 - 65,535	0.0 - 0.8
18	24	35-36	47-48	y	0 - 255	0 - 65,535	0.0 - 0.8
Pixel 5	Pixel 6	Pixel 5	Pixel 6				
25	31	49-50	61-62	Master Intensity	0 - 255	0 - 65,535	0% - 100%
26	32	51-52	63-64	CCT	0 - 255	0 - 65,535	2000K - 10000K
27	33	53-54	65-66	Green Adjust	0 - 9 10 - 255	0 - 9 10 - 65,535	Neutral (0) Full magenta ~ Full green (-1.0 ~ +1.0)
28	34	55-56	67-68	Crossfade	0 - 255	0 - 65,535	0% - 100%
29	35	57-58	69-70	x	0 - 255	0 - 65,535	0.0 - 0.8
30	36	59-60	71-72	y	0 - 255	0 - 65,535	0.0 - 0.8
Pixel 7	Pixel 8	Pixel 7	Pixel 8				
37	43	73-74	85-86	Master Intensity	0 - 255	0 - 65,535	0% - 100%
38	44	75-76	87-88	CCT	0 - 255	0 - 65,535	2000K - 10000K
39	45	77-78	89-90	Green Adjust	0 - 9 10 - 255	0 - 9 10 - 65,535	Neutral (0) Full magenta ~ Full green (-1.0 ~ +1.0)
40	46	79-80	91-92	Crossfade	0 - 255	0 - 65,535	0% - 100%
41	47	81-82	93-94	x	0 - 255	0 - 65,535	0.0 - 0.8
42	48	83-84	95-96	y	0 - 255	0 - 65,535	0.0 - 0.8
Pixel 9	Pixel 10	Pixel 9	Pixel 10				
49	55	97-98	109-110	Master Intensity	0 - 255	0 - 65,535	0% - 100%
50	56	99-100	111-112	CCT	0 - 255	0 - 65,535	2000K - 10000K
51	57	101-102	113-114	Green Adjust	0 - 9 10 - 255	0 - 9 10 - 65,535	Neutral (0) Full magenta ~ Full green (-1.0 ~ +1.0)
52	58	103-104	115-116	Crossfade	0 - 255	0 - 65,535	0% - 100%
53	59	105-106	117-118	x	0 - 255	0 - 65,535	0.0 - 0.8
54	60	107-108	119-120	y	0 - 255	0 - 65,535	0.0 - 0.8

Mode 306 (8-bit) / Mode 310 (16-bit) : MOTO PXL16 CCTxy

8-bit DMX		16-bit DMX		Function	8-bit/16-bit Value		Range
Pixel 11	Pixel 12	Pixel 11	Pixel 12				
61	67	121-122	133-134	Master Intensity	0 - 255	0 - 65,535	0% - 100%
62	68	123-124	135-136	CCT	0 - 255	0 - 65,535	2000K - 10000K
63	69	125-126	137-138	Green Adjust	0 - 9 10 - 255	0 - 9 10 - 65,535	Neutral (0) Full magenta ~ Full green (-1.0 ~ +1.0)
64	70	127-128	139-140	Crossfade	0 - 255	0 - 65,535	0% - 100%
65	71	129-130	141-142	x	0 - 255	0 - 65,535	0.0 - 0.8
66	72	131-132	143-144	y	0 - 255	0 - 65,535	0.0 - 0.8
Pixel 13	Pixel 14	Pixel 13	Pixel 14				
73	79	145-146	157-158	Master Intensity	0 - 255	0 - 65,535	0% - 100%
74	80	147-148	159-160	CCT	0 - 255	0 - 65,535	2000K - 10000K
75	81	149-150	161-162	Green Adjust	0 - 9 10 - 255	0 - 9 10 - 65,535	Neutral (0) Full magenta ~ Full green (-1.0 ~ +1.0)
76	82	151-152	163-164	Crossfade	0 - 255	0 - 65,535	0% - 100%
77	83	153-154	165-166	x	0 - 255	0 - 65,535	0.0 - 0.8
78	84	155-156	167-168	y	0 - 255	0 - 65,535	0.0 - 0.8
Pixel 15	Pixel 16	Pixel 15	Pixel 16				
85	91	169-170	181-182	Master Intensity	0 - 255	0 - 65,535	0% - 100%
86	92	171-172	183-184	CCT	0 - 255	0 - 65,535	2000K - 10000K
87	93	173-174	185-186	Green Adjust	0 - 9 10 - 255	0 - 9 10 - 65,535	Neutral (0) Full magenta ~ Full green (-1.0 ~ +1.0)
88	94	175-176	187-188	Crossfade	0 - 255	0 - 65,535	0% - 100%
89	95	177-178	189-190	x	0 - 255	0 - 65,535	0.0 - 0.8
90	96	179-180	191-192	y	0 - 255	0 - 65,535	0.0 - 0.8
97		193		Strobe Frequency	0 - 9 10 - 255		Strobe off 1Hz - 25Hz
98-99		194-195		PAN	0 - 65,535		-150° - +150°
100-101		196-197		TILT	0 - 65,535		-150° - +150°
102-103		198-199		ZOOM (Not Supported)	0 - 65,535		0 - 100 (%)
104		200		Control	See control table		
105		201		Reserved for future use			

Mode 307 (8-bit) / Mode 311 (16-bit) : MOTO PXL16 ICTHS

8-bit DMX		16-bit DMX		Function	8-bit/16-bit Value		Range
Pixel 1	Pixel 2	Pixel 1	Pixel 2				
1	6	1-2	11-12	Master Intensity	0 - 255	0 - 65,535	0% - 100%
2	7	3-4	13-14	CCT	0 - 255	0 - 65,535	2000K - 10000K
3	8	5-6	15-16	Green Adjust	0 - 9 10 - 255	0 - 9 10 - 65,535	Neutral (0) Full magenta ~ Full green (-1.0 ~ +1.0)
4	9	7-8	17-18	Hue	0 - 255	0 - 65,535	0° - 360°
5	10	9-10	19-20	Saturation	0 - 255	0 - 65,535	0% - 100%
Pixel 3	Pixel 4	Pixel 3	Pixel 4				
11	16	21-22	31-32	Master Intensity	0 - 255	0 - 65,535	0% - 100%
12	17	23-24	33-34	CCT	0 - 255	0 - 65,535	2000K - 10000K
13	18	25-26	35-36	Green Adjust	0 - 9 10 - 255	0 - 9 10 - 65,535	Neutral (0) Full magenta ~ Full green (-1.0 ~ +1.0)
14	19	27-28	37-38	Hue	0 - 255	0 - 65,535	0° - 360°
15	20	29-30	39-40	Saturation	0 - 255	0 - 65,535	0% - 100%
Pixel 5	Pixel 6	Pixel 5	Pixel 6				
21	26	41-42	51-52	Master Intensity	0 - 255	0 - 65,535	0% - 100%
22	27	43-44	53-54	CCT	0 - 255	0 - 65,535	2000K - 10000K
23	28	45-46	55-56	Green Adjust	0 - 9 10 - 255	0 - 9 10 - 65,535	Neutral (0) Full magenta ~ Full green (-1.0 ~ +1.0)
24	29	47-48	57-58	Hue	0 - 255	0 - 65,535	0° - 360°
25	30	49-50	59-60	Saturation	0 - 255	0 - 65,535	0% - 100%
Pixel 7	Pixel 8	Pixel 7	Pixel 8				
31	36	61-62	71-72	Master Intensity	0 - 255	0 - 65,535	0% - 100%
32	37	63-64	73-74	CCT	0 - 255	0 - 65,535	2000K - 10000K
33	38	65-66	75-76	Green Adjust	0 - 9 10 - 255	0 - 9 10 - 65,535	Neutral (0) Full magenta ~ Full green (-1.0 ~ +1.0)
34	39	67-68	77-78	Hue	0 - 255	0 - 65,535	0° - 360°
35	40	69-70	79-80	Saturation	0 - 255	0 - 65,535	0% - 100%
Pixel 9	Pixel 10	Pixel 9	Pixel 10				
41	46	81-82	91-92	Master Intensity	0 - 255	0 - 65,535	0% - 100%
42	47	83-84	93-94	CCT	0 - 255	0 - 65,535	2000K - 10000K
43	48	85-86	95-96	Green Adjust	0 - 9 10 - 255	0 - 9 10 - 65,535	Neutral (0) Full magenta ~ Full green (-1.0 ~ +1.0)
44	49	87-88	97-98	Hue	0 - 255	0 - 65,535	0° - 360°
45	50	89-90	99-100	Saturation	0 - 255	0 - 65,535	0% - 100%

Mode 307 (8-bit) / Mode 311 (16-bit) : MOTO PXL16 ICTHS

8-bit DMX		16-bit DMX		Function	8-bit/16-bit Value		Range
Pixel 11	Pixel 12	Pixel 11	Pixel 12				
51	56	101-102	111-112	Master Intensity	0 - 255	0 - 65,535	0% - 100%
52	57	103-104	113-114	CCT	0 - 255	0 - 65,535	2000K - 10000K
53	58	105-106	115-116	Green Adjust	0 - 9 10 - 255	0 - 9 10 - 65,535	Neutral (0) Full magenta ~ Full green (-1.0 ~ +1.0)
54	59	107-108	117-118	Hue	0 - 255	0 - 65,535	0° - 360°
55	60	109-110	119-120	Saturation	0 - 255	0 - 65,535	0% - 100%
Pixel 13	Pixel 14	Pixel 13	Pixel 14				
61	66	121-122	131-132	Master Intensity	0 - 255	0 - 65,535	0% - 100%
62	67	123-124	133-134	CCT	0 - 255	0 - 65,535	2000K - 10000K
63	68	125-126	135-136	Green Adjust	0 - 9 10 - 255	0 - 9 10 - 65,535	Neutral (0) Full magenta ~ Full green (-1.0 ~ +1.0)
64	69	127-128	137-138	Hue	0 - 255	0 - 65,535	0° - 360°
65	70	129-130	139-140	Saturation	0 - 255	0 - 65,535	0% - 100%
Pixel 15	Pixel 16	Pixel 15	Pixel 16				
71	76	141-142	151-152	Master Intensity	0 - 255	0 - 65,535	0% - 100%
72	77	143-144	153-154	CCT	0 - 255	0 - 65,535	2000K - 10000K
73	78	145-146	155-156	Green Adjust	0 - 9 10 - 255	0 - 9 10 - 65,535	Neutral (0) Full magenta ~ Full green (-1.0 ~ +1.0)
74	79	147-148	157-158	Hue	0 - 255	0 - 65,535	0° - 360°
75	80	149-150	159-160	Saturation	0 - 255	0 - 65,535	0% - 100%
81	161		Strobe Frequency	0 - 9 10 - 255	Strobe off 1Hz - 25Hz		
82-83	162-163		PAN	0 - 65,535	-150° - +150°		
84-85	164-165		TILT	0 - 65,535	-150° - +150°		
86-87	166-167		ZOOM (Not Supported)	0 - 65,535	0 - 100 (%)		
88	168		Control	See control table			
89	169		Reserved for future use				

Mode 308 (8-bit) / Mode 312 (16-bit) : MOTO PXL16 ICTRGBW

8-bit DMX		16-bit DMX		Function	8-bit/16-bit Value		Range
Pixel 1	Pixel 2	Pixel 1	Pixel 2				
1	8	1-2	15-16	Master Intensity	0 - 255	0 - 65,535	0% - 100%
2	9	3-4	17-18	CCT	0 - 255	0 - 65,535	2000K - 10000K
3	10	5-6	19-20	Green Adjust	0 - 9 10 - 255	0 - 9 10 - 65,535	Neutral (0) Full magenta ~ Full green (-1.0 ~ +1.0)
4	11	7-8	21-22	Intensity Red	0 - 255	0 - 65,535	0% - 100%
5	12	9-10	23-24	Intensity Green	0 - 255	0 - 65,535	0% - 100%
6	13	11-12	25-26	Intensity Blue	0 - 255	0 - 65,535	0% - 100%
7	14	13-14	27-28	Intensity White	0 - 255	0 - 65,535	0% - 100%
Pixel 3	Pixel 4	Pixel 3	Pixel 4				
15	22	29-30	43-44	Master Intensity	0 - 255	0 - 65,535	0% - 100%
16	23	31-32	45-46	CCT	0 - 255	0 - 65,535	2000K - 10000K
17	24	33-34	47-48	Green Adjust	0 - 9 10 - 255	0 - 9 10 - 65,535	Neutral (0) Full magenta ~ Full green (-1.0 ~ +1.0)
18	25	35-36	49-50	Intensity Red	0 - 255	0 - 65,535	0% - 100%
19	26	37-38	51-52	Intensity Green	0 - 255	0 - 65,535	0% - 100%
20	27	39-40	53-54	Intensity Blue	0 - 255	0 - 65,535	0% - 100%
21	28	41-42	55-56	Intensity White	0 - 255	0 - 65,535	0% - 100%
Pixel 5	Pixel 6	Pixel 5	Pixel 6				
29	36	57-58	71-72	Master Intensity	0 - 255	0 - 65,535	0% - 100%
30	37	59-60	73-74	CCT	0 - 255	0 - 65,535	2000K - 10000K
31	38	61-62	75-76	Green Adjust	0 - 9 10 - 255	0 - 9 10 - 65,535	Neutral (0) Full magenta ~ Full green (-1.0 ~ +1.0)
32	39	63-64	77-78	Intensity Red	0 - 255	0 - 65,535	0% - 100%
33	40	65-66	79-80	Intensity Green	0 - 255	0 - 65,535	0% - 100%
34	41	67-68	81-82	Intensity Blue	0 - 255	0 - 65,535	0% - 100%
35	42	69-70	83-84	Intensity White	0 - 255	0 - 65,535	0% - 100%
Pixel 7	Pixel 8	Pixel 7	Pixel 8				
43	50	85-86	99-100	Master Intensity	0 - 255	0 - 65,535	0% - 100%
44	51	87-88	101-102	CCT	0 - 255	0 - 65,535	2000K - 10000K
45	52	89-90	103-104	Green Adjust	0 - 9 10 - 255	0 - 9 10 - 65,535	Neutral (0) Full magenta ~ Full green (-1.0 ~ +1.0)
46	53	91-92	105-106	Intensity Red	0 - 255	0 - 65,535	0% - 100%
47	54	93-94	107-108	Intensity Green	0 - 255	0 - 65,535	0% - 100%
48	55	95-96	109-110	Intensity Blue	0 - 255	0 - 65,535	0% - 100%
49	56	97-98	111-112	Intensity White	0 - 255	0 - 65,535	0% - 100%

Mode 308 (8-bit) / Mode 312 (16-bit) : MOTO PXL16 ICTRGBW

8-bit DMX		16-bit DMX		Function	8-bit/16-bit Value		Range
Pixel 9	Pixel 10	Pixel 9	Pixel 10				
57	64	113-114	127-128	Master Intensity	0 - 255	0 - 65,535	0% - 100%
58	65	115-116	129-130	CCT	0 - 255	0 - 65,535	2000K - 10000K
59	66	117-118	131-132	Green Adjust	0 - 9 10 - 255	0 - 9 10 - 65,535	Neutral (0) Full magenta ~ Full green (-1.0 ~ +1.0)
60	67	119-120	133-134	Intensity Red	0 - 255	0 - 65,535	0% - 100%
61	68	121-122	135-136	Intensity Green	0 - 255	0 - 65,535	0% - 100%
62	69	123-124	137-138	Intensity Blue	0 - 255	0 - 65,535	0% - 100%
63	70	125-126	139-140	Intensity White	0 - 255	0 - 65,535	0% - 100%
Pixel 11	Pixel 12	Pixel 11	Pixel 12				
71	78	141-142	155-156	Master Intensity	0 - 255	0 - 65,535	0% - 100%
72	79	143-144	157-158	CCT	0 - 255	0 - 65,535	2000K - 10000K
73	80	145-146	159-160	Green Adjust	0 - 9 10 - 255	0 - 9 10 - 65,535	Neutral (0) Full magenta ~ Full green (-1.0 ~ +1.0)
74	81	147-148	161-162	Intensity Red	0 - 255	0 - 65,535	0% - 100%
75	82	149-150	163-164	Intensity Green	0 - 255	0 - 65,535	0% - 100%
76	83	151-152	165-166	Intensity Blue	0 - 255	0 - 65,535	0% - 100%
77	84	153-154	167-168	Intensity White	0 - 255	0 - 65,535	0% - 100%
Pixel 13	Pixel 14	Pixel 13	Pixel 14				
85	92	169-170	183-184	Master Intensity	0 - 255	0 - 65,535	0% - 100%
86	93	171-172	185-186	CCT	0 - 255	0 - 65,535	2000K - 10000K
87	94	173-174	187-188	Green Adjust	0 - 9 10 - 255	0 - 9 10 - 65,535	Neutral (0) Full magenta ~ Full green (-1.0 ~ +1.0)
88	95	175-176	189-190	Intensity Red	0 - 255	0 - 65,535	0% - 100%
89	96	177-178	191-192	Intensity Green	0 - 255	0 - 65,535	0% - 100%
90	97	179-180	193-194	Intensity Blue	0 - 255	0 - 65,535	0% - 100%
91	98	181-182	195-196	Intensity White	0 - 255	0 - 65,535	0% - 100%
Pixel 15	Pixel 16	Pixel 15	Pixel 16				
99	106	197-198	211-212	Master Intensity	0 - 255	0 - 65,535	0% - 100%
100	107	199-200	213-214	CCT	0 - 255	0 - 65,535	2000K - 10000K
101	108	201-202	215-216	Green Adjust	0 - 9 10 - 255	0 - 9 10 - 65,535	Neutral (0) Full magenta ~ Full green (-1.0 ~ +1.0)
102	109	203-204	217-218	Intensity Red	0 - 255	0 - 65,535	0% - 100%
103	110	205-206	219-220	Intensity Green	0 - 255	0 - 65,535	0% - 100%
104	111	207-208	221-222	Intensity Blue	0 - 255	0 - 65,535	0% - 100%
105	112	209-210	223-224	Intensity White	0 - 255	0 - 65,535	0% - 100%

Mode 308 (8-bit) / Mode 312 (16-bit) : MOTO PXL16 ICTRGBW

8-bit DMX	16-bit DMX	Function	8-bit/16-bit Value	Range
113	225	Strobe Frequency	0 - 9 10 - 255	Strobe off 1Hz - 25Hz
114-115	226-227	PAN	0 - 65,535	-150° - +150°
116-117	228-229	TILT	0 - 65,535	-150° - +150°
118-119	230-231	ZOOM (Not Supported)	0 - 65,535	0 - 100 (%)
120	232	Control	See control table	
121	233	Reserved for future use		

Mode 309 (8-bit) / Mode 313 (16-bit) : MOTO PXL16 ICTxy

8-bit DMX		16-bit DMX		Function	8-bit/16-bit Value		Range
Pixel 1	Pixel 2	Pixel 1	Pixel 2				
1	6	1-2	11-12	Master Intensity	0 - 255	0 - 65, 535	0% - 100%
2	7	3-4	13-14	CCT	0 - 255	0 - 65, 535	2000K - 10000K
3	8	5-6	15-16	Green Adjust	0 - 9 10 - 255	0 - 9 10 - 65, 535	Neutral (0) Full magenta ~ Full green (-1.0 ~ +1.0)
4	9	7-8	17-18	x	0 - 255	0 - 65, 535	0.0 - 0.8
5	10	9-10	19-20	y	0 - 255	0 - 65, 535	0.0 - 0.8
Pixel 3	Pixel 4	Pixel 3	Pixel 4				
11	16	21-22	31-32	Master Intensity	0 - 255	0 - 65, 535	0% - 100%
12	17	23-24	33-34	CCT	0 - 255	0 - 65, 535	2000K - 10000K
13	18	25-26	35-36	Green Adjust	0 - 9 10 - 255	0 - 9 10 - 65, 535	Neutral (0) Full magenta ~ Full green (-1.0 ~ +1.0)
14	19	27-28	37-38	x	0 - 255	0 - 65, 535	0.0 - 0.8
15	20	29-30	39-40	y	0 - 255	0 - 65, 535	0.0 - 0.8
Pixel 5	Pixel 6	Pixel 5	Pixel 6				
21	26	41-42	51-52	Master Intensity	0 - 255	0 - 65, 535	0% - 100%
22	27	43-44	53-54	CCT	0 - 255	0 - 65, 535	2000K - 10000K
23	28	45-46	55-56	Green Adjust	0 - 9 10 - 255	0 - 9 10 - 65, 535	Neutral (0) Full magenta ~ Full green (-1.0 ~ +1.0)
24	29	47-48	57-58	x	0 - 255	0 - 65, 535	0.0 - 0.8
25	30	49-50	59-60	y	0 - 255	0 - 65, 535	0.0 - 0.8
Pixel 7	Pixel 8	Pixel 7	Pixel 8				
31	36	61-62	71-72	Master Intensity	0 - 255	0 - 65, 535	0% - 100%
32	37	63-64	73-74	CCT	0 - 255	0 - 65, 535	2000K - 10000K
33	38	65-66	75-76	Green Adjust	0 - 9 10 - 255	0 - 9 10 - 65, 535	Neutral (0) Full magenta ~ Full green (-1.0 ~ +1.0)
34	39	67-68	77-78	x	0 - 255	0 - 65, 535	0.0 - 0.8
35	40	69-70	79-80	y	0 - 255	0 - 65, 535	0.0 - 0.8
Pixel 9	Pixel 10	Pixel 9	Pixel 10				
41	46	81-82	91-92	Master Intensity	0 - 255	0 - 65, 535	0% - 100%
42	47	83-84	93-94	CCT	0 - 255	0 - 65, 535	2000K - 10000K
43	48	85-86	95-96	Green Adjust	0 - 9 10 - 255	0 - 9 10 - 65, 535	Neutral (0) Full magenta ~ Full green (-1.0 ~ +1.0)
44	49	87-88	97-98	x	0 - 255	0 - 65, 535	0.0 - 0.8
45	50	89-90	99-100	y	0 - 255	0 - 65, 535	0.0 - 0.8

Mode 309 (8-bit) / Mode 313 (16-bit) : MOTO PXL16 ICTxy

8-bit DMX		16-bit DMX		Function	8-bit/16-bit Value		Range
Pixel 11	Pixel 12	Pixel 11	Pixel 12				
51	56	101-102	111-112	Master Intensity	0 - 255	0 - 65,535	0% - 100%
52	57	103-104	113-114	CCT	0 - 255	0 - 65,535	2000K - 10000K
53	58	105-106	115-116	Green Adjust	0 - 9 10 - 255	0 - 9 10 - 65,535	Neutral (0) Full magenta ~ Full green (-1.0 ~ +1.0)
54	59	107-108	117-118	x	0 - 255	0 - 65,535	0.0 - 0.8
55	60	109-110	119-120	y	0 - 255	0 - 65,535	0.0 - 0.8
Pixel 13	Pixel 14	Pixel 13	Pixel 14				
61	66	121-122	131-132	Master Intensity	0 - 255	0 - 65,535	0% - 100%
62	67	123-124	133-134	CCT	0 - 255	0 - 65,535	2000K - 10000K
63	68	125-126	135-136	Green Adjust	0 - 9 10 - 255	0 - 9 10 - 65,535	Neutral (0) Full magenta ~ Full green (-1.0 ~ +1.0)
64	69	127-128	137-138	x	0 - 255	0 - 65,535	0.0 - 0.8
65	70	129-130	139-140	y	0 - 255	0 - 65,535	0.0 - 0.8
Pixel 15	Pixel 16	Pixel 15	Pixel 16				
71	76	141-142	151-152	Master Intensity	0 - 255	0 - 65,535	0% - 100%
72	77	143-144	153-154	CCT	0 - 255	0 - 65,535	2000K - 10000K
73	78	145-146	155-156	Green Adjust	0 - 9 10 - 255	0 - 9 10 - 65,535	Neutral (0) Full magenta ~ Full green (-1.0 ~ +1.0)
74	79	147-148	157-158	x	0 - 255	0 - 65,535	0.0 - 0.8
75	80	149-150	159-160	y	0 - 255	0 - 65,535	0.0 - 0.8
81	161			Strobe Frequency	0 - 9 10 - 255		Strobe off 1Hz - 25Hz
82-83	162-163			PAN	0 - 65,535		-150° - +150°
84-85	164-165			TILT	0 - 65,535		-150° - +150°
86-87	166-167			ZOOM (Not Supported)	0 - 65,535		0 - 100 (%)
88	168			Control	See control table		
89	169			Reserved for future use			

Mode 314 (8-bit) / Mode 318 (16-bit) : MOTO PXL16 EZ CCT

8-bit DMX		16-bit DMX		Function	8-bit/16-bit Value		Range
Pixel 1	Pixel 2	Pixel 1	Pixel 2				
1	4	1-2	7-8	Master Intensity	0 - 255	0 - 65,535	0% - 100%
2	5	3-4	9-10	CCT	0 - 255	0 - 65,535	2000K - 10000K
3	6	5-6	11-12	Green Adjust	0 - 9 10 - 255	0 - 9 10 - 65,535	Neutral (0) Full magenta ~ Full green (-1.0 ~ +1.0)
Pixel 3	Pixel 4	Pixel 3	Pixel 4				
7	10	13-14	19-20	Master Intensity	0 - 255	0 - 65,535	0% - 100%
8	11	15-16	21-22	CCT	0 - 255	0 - 65,535	2000K - 10000K
9	12	17-18	23-24	Green Adjust	0 - 9 10 - 255	0 - 9 10 - 65,535	Neutral (0) Full magenta ~ Full green (-1.0 ~ +1.0)
Pixel 5	Pixel 6	Pixel 5	Pixel 6				
13	16	25-26	31-32	Master Intensity	0 - 255	0 - 65,535	0% - 100%
14	17	27-28	33-34	CCT	0 - 255	0 - 65,535	2000K - 10000K
15	18	29-30	35-36	Green Adjust	0 - 9 10 - 255	0 - 9 10 - 65,535	Neutral (0) Full magenta ~ Full green (-1.0 ~ +1.0)
Pixel 7	Pixel 8	Pixel 7	Pixel 8				
19	22	37-38	43-44	Master Intensity	0 - 255	0 - 65,535	0% - 100%
20	23	39-40	45-46	CCT	0 - 255	0 - 65,535	2000K - 10000K
21	24	41-42	47-48	Green Adjust	0 - 9 10 - 255	0 - 9 10 - 65,535	Neutral (0) Full magenta ~ Full green (-1.0 ~ +1.0)
Pixel 9	Pixel 10	Pixel 9	Pixel 10				
25	28	49-50	55-56	Master Intensity	0 - 255	0 - 65,535	0% - 100%
26	29	51-52	57-58	CCT	0 - 255	0 - 65,535	2000K - 10000K
27	30	53-54	59-60	Green Adjust	0 - 9 10 - 255	0 - 9 10 - 65,535	Neutral (0) Full magenta ~ Full green (-1.0 ~ +1.0)
Pixel 11	Pixel 12	Pixel 11	Pixel 12				
31	34	61-62	67-68	Master Intensity	0 - 255	0 - 65,535	0% - 100%
32	35	63-64	69-70	CCT	0 - 255	0 - 65,535	2000K - 10000K
33	36	65-66	71-72	Green Adjust	0 - 9 10 - 255	0 - 9 10 - 65,535	Neutral (0) Full magenta ~ Full green (-1.0 ~ +1.0)
Pixel 13	Pixel 14	Pixel 13	Pixel 14				
37	40	73-74	79-80	Master Intensity	0 - 255	0 - 65,535	0% - 100%
38	41	75-76	81-82	CCT	0 - 255	0 - 65,535	2000K - 10000K
39	42	77-78	83-84	Green Adjust	0 - 9 10 - 255	0 - 9 10 - 65,535	Neutral (0) Full magenta ~ Full green (-1.0 ~ +1.0)
Pixel 15	Pixel 16	Pixel 15	Pixel 16				
43	46	85-86	91-92	Master Intensity	0 - 255	0 - 65,535	0% - 100%
44	47	87-88	93-94	CCT	0 - 255	0 - 65,535	2000K - 10000K
45	48	89-90	95-96	Green Adjust	0 - 9 10 - 255	0 - 9 10 - 65,535	Neutral (0) Full magenta ~ Full green (-1.0 ~ +1.0)
49-50		97-98		PAN	0 - 65,535		-150° - +150°
51-52		99-100		TILT	0 - 65,535		-150° - +150°
53-54		101-102		ZOOM (Not Supported)	0 - 65,535		0 - 100 (%)

Mode 315 (8-bit) / Mode 319 (16-bit) : MOTO PXL16 EZ HSI

8-bit DMX		16-bit DMX		Function	8-bit/16-bit Value		Range
Pixel 1	Pixel 2	Pixel 1	Pixel 2				
1	4	1-2	7-8	Master Intensity	0 - 255	0 - 65, 535	0% - 100%
2	5	3-4	9-10	Hue	0 - 255	0 - 65, 535	0° - 360°
3	6	5-6	11-12	Saturation	0 - 255	0 - 65, 535	0% - 100%
Pixel 3	Pixel 4	Pixel 3	Pixel 4				
7	10	13-14	19-20	Master Intensity	0 - 255	0 - 65, 535	0% - 100%
8	11	15-16	21-22	Hue	0 - 255	0 - 65, 535	0° - 360°
9	12	17-18	23-24	Saturation	0 - 255	0 - 65, 535	0% - 100%
Pixel 5	Pixel 6	Pixel 5	Pixel 6				
13	16	25-26	31-32	Master Intensity	0 - 255	0 - 65, 535	0% - 100%
14	17	27-28	33-34	Hue	0 - 255	0 - 65, 535	0° - 360°
15	18	29-30	35-36	Saturation	0 - 255	0 - 65, 535	0% - 100%
Pixel 7	Pixel 8	Pixel 7	Pixel 8				
19	22	37-38	43-44	Master Intensity	0 - 255	0 - 65, 535	0% - 100%
20	23	39-40	45-46	Hue	0 - 255	0 - 65, 535	0° - 360°
21	24	41-42	47-48	Saturation	0 - 255	0 - 65, 535	0% - 100%
Pixel 9	Pixel 10	Pixel 9	Pixel 10				
25	28	49-50	55-56	Master Intensity	0 - 255	0 - 65, 535	0% - 100%
26	29	51-52	57-58	Hue	0 - 255	0 - 65, 535	0° - 360°
27	30	53-54	59-60	Saturation	0 - 255	0 - 65, 535	0% - 100%
Pixel 11	Pixel 12	Pixel 11	Pixel 12				
31	34	61-62	67-68	Master Intensity	0 - 255	0 - 65, 535	0% - 100%
32	35	63-64	69-70	Hue	0 - 255	0 - 65, 535	0° - 360°
33	36	65-66	71-72	Saturation	0 - 255	0 - 65, 535	0% - 100%
Pixel 13	Pixel 14	Pixel 13	Pixel 14				
37	40	73-74	79-80	Master Intensity	0 - 255	0 - 65, 535	0% - 100%
38	41	75-76	81-82	Hue	0 - 255	0 - 65, 535	0° - 360°
39	42	77-78	83-84	Saturation	0 - 255	0 - 65, 535	0% - 100%
Pixel 15	Pixel 16	Pixel 15	Pixel 16				
43	46	85-86	91-92	Master Intensity	0 - 255	0 - 65, 535	0% - 100%
44	47	87-88	93-94	Hue	0 - 255	0 - 65, 535	0° - 360°
45	48	89-90	95-96	Saturation	0 - 255	0 - 65, 535	0% - 100%
49-50		97-98		PAN	0 - 65,535		-150° - +150°
51-52		99-100		TILT	0 - 65,535		-150° - +150°
53-54		101-102		ZOOM (Not Supported)	0 - 65,535		0 - 100 (%)

Mode 316 (8-bit) / Mode 320 (16-bit) : MOTO PXL16 EZ RGBW

8-bit DMX		16-bit DMX		Function	8-bit/16-bit Value		Range
Pixel 1	Pixel 2	Pixel 1	Pixel 2				
1	6	1-2	11-12	Master Intensity	0 - 255	0 - 65,535	0% - 100%
2	7	3-4	13-14	Intensity Red	0 - 255	0 - 65,535	0% - 100%
3	8	5-6	15-16	Intensity Green	0 - 255	0 - 65,535	0% - 100%
4	9	7-8	17-18	Intensity Blue	0 - 255	0 - 65,535	0% - 100%
5	10	9-10	19-20	Intensity White	0 - 255	0 - 65,535	0% - 100%
Pixel 3	Pixel 4	Pixel 3	Pixel 4				
11	16	21-22	31-32	Master Intensity	0 - 255	0 - 65,535	0% - 100%
12	17	23-24	33-34	Intensity Red	0 - 255	0 - 65,535	0% - 100%
13	18	25-26	35-36	Intensity Green	0 - 255	0 - 65,535	0% - 100%
14	19	27-28	37-38	Intensity Blue	0 - 255	0 - 65,535	0% - 100%
15	20	29-30	39-40	Intensity White	0 - 255	0 - 65,535	0% - 100%
Pixel 5	Pixel 6	Pixel 5	Pixel 6				
21	26	41-42	51-52	Master Intensity	0 - 255	0 - 65,535	0% - 100%
22	27	43-44	53-54	Intensity Red	0 - 255	0 - 65,535	0% - 100%
23	28	45-46	55-56	Intensity Green	0 - 255	0 - 65,535	0% - 100%
24	29	47-48	57-58	Intensity Blue	0 - 255	0 - 65,535	0% - 100%
25	30	49-50	59-60	Intensity White	0 - 255	0 - 65,535	0% - 100%
Pixel 7	Pixel 8	Pixel 7	Pixel 8				
31	36	61-62	71-72	Master Intensity	0 - 255	0 - 65,535	0% - 100%
32	37	63-64	73-74	Intensity Red	0 - 255	0 - 65,535	0% - 100%
33	38	65-66	75-76	Intensity Green	0 - 255	0 - 65,535	0% - 100%
34	39	67-68	77-78	Intensity Blue	0 - 255	0 - 65,535	0% - 100%
35	40	69-70	79-80	Intensity White	0 - 255	0 - 65,535	0% - 100%
Pixel 9	Pixel 10	Pixel 9	Pixel 10				
41	46	81-82	91-92	Master Intensity	0 - 255	0 - 65,535	0% - 100%
42	47	83-84	93-94	Intensity Red	0 - 255	0 - 65,535	0% - 100%
43	48	85-86	95-96	Intensity Green	0 - 255	0 - 65,535	0% - 100%
44	49	87-88	97-98	Intensity Blue	0 - 255	0 - 65,535	0% - 100%
45	50	89-90	99-100	Intensity White	0 - 255	0 - 65,535	0% - 100%

Mode 316 (8-bit) / Mode 320 (16-bit) : MOTO PXL16 EZ RGBW

8-bit DMX		16-bit DMX		Function	8-bit/16-bit Value		Range
Pixel 11	Pixel 12	Pixel 11	Pixel 12				
51	56	101-102	111-112	Master Intensity	0 - 255	0 - 65,535	0% - 100%
52	57	103-104	113-114	Intensity Red	0 - 255	0 - 65,535	0% - 100%
53	58	105-106	115-116	Intensity Green	0 - 255	0 - 65,535	0% - 100%
54	59	107-108	117-118	Intensity Blue	0 - 255	0 - 65,535	0% - 100%
55	60	109-110	119-120	Intensity White	0 - 255	0 - 65,535	0% - 100%
Pixel 13	Pixel 14	Pixel 13	Pixel 14				
61	66	121-122	131-132	Master Intensity	0 - 255	0 - 65,535	0% - 100%
62	67	123-124	133-134	Intensity Red	0 - 255	0 - 65,535	0% - 100%
63	68	125-126	135-136	Intensity Green	0 - 255	0 - 65,535	0% - 100%
64	69	127-128	137-138	Intensity Blue	0 - 255	0 - 65,535	0% - 100%
65	70	129-130	139-140	Intensity White	0 - 255	0 - 65,535	0% - 100%
Pixel 15	Pixel 16	Pixel 15	Pixel 16				
71	76	141-142	151-152	Master Intensity	0 - 255	0 - 65,535	0% - 100%
72	77	143-144	153-154	Intensity Red	0 - 255	0 - 65,535	0% - 100%
73	78	145-146	155-156	Intensity Green	0 - 255	0 - 65,535	0% - 100%
74	79	147-148	157-158	Intensity Blue	0 - 255	0 - 65,535	0% - 100%
75	80	149-150	159-160	Intensity White	0 - 255	0 - 65,535	0% - 100%
81 - 82		161 - 162		PAN	0 - 65,535		-150° - +150°
83 - 84		163 - 164		TILT	0 - 65,535		-150° - +150°
85 - 86		165 - 166		ZOOM (Not Supported)	0 - 65,535		0 - 100 (%)

Mode 317 (8-bit) / Mode 321 (16-bit) : MOTO PXL16 EZ RGB

8-bit DMX		16-bit DMX		Function	8-bit/16-bit Value		Range
Pixel 1	Pixel 2	Pixel 1	Pixel 2				
1	4	1-2	7-8	Intensity Red	0 - 255	0 - 65,535	0% - 100%
2	5	3-4	9-10	Intensity Green	0 - 255	0 - 65,535	0% - 100%
3	6	5-6	11-12	Intensity Blue	0 - 255	0 - 65,535	0% - 100%
Pixel 3	Pixel 4	Pixel 3	Pixel 4				
7	10	13-14	19-20	Intensity Red	0 - 255	0 - 65,535	0% - 100%
8	11	15-16	21-22	Intensity Green	0 - 255	0 - 65,535	0% - 100%
9	12	17-18	23-24	Intensity Blue	0 - 255	0 - 65,535	0% - 100%
Pixel 5	Pixel 6	Pixel 5	Pixel 6				
13	16	25-26	31-32	Intensity Red	0 - 255	0 - 65,535	0% - 100%
14	17	27-28	33-34	Intensity Green	0 - 255	0 - 65,535	0% - 100%
15	18	29-30	35-36	Intensity Blue	0 - 255	0 - 65,535	0% - 100%
Pixel 7	Pixel 8	Pixel 7	Pixel 8				
19	22	37-38	43-44	Intensity Red	0 - 255	0 - 65,535	0% - 100%
20	23	39-40	45-46	Intensity Green	0 - 255	0 - 65,535	0% - 100%
21	24	41-42	47-48	Intensity Blue	0 - 255	0 - 65,535	0% - 100%
Pixel 9	Pixel 10	Pixel 9	Pixel 10				
25	28	49-50	55-56	Intensity Red	0 - 255	0 - 65,535	0% - 100%
26	29	51-52	57-58	Intensity Green	0 - 255	0 - 65,535	0% - 100%
27	30	53-54	59-60	Intensity Blue	0 - 255	0 - 65,535	0% - 100%
Pixel 11	Pixel 12	Pixel 11	Pixel 12				
31	34	61-62	67-68	Intensity Red	0 - 255	0 - 65,535	0% - 100%
32	35	63-64	69-70	Intensity Green	0 - 255	0 - 65,535	0% - 100%
33	36	65-66	71-72	Intensity Blue	0 - 255	0 - 65,535	0% - 100%
Pixel 13	Pixel 14	Pixel 13	Pixel 14				
37	40	73-74	79-80	Intensity Red	0 - 255	0 - 65,535	0% - 100%
38	41	75-76	81-82	Intensity Green	0 - 255	0 - 65,535	0% - 100%
39	42	77-78	83-84	Intensity Blue	0 - 255	0 - 65,535	0% - 100%
Pixel 15	Pixel 16	Pixel 15	Pixel 16				
43	46	85-86	91-92	Intensity Red	0 - 255	0 - 65,535	0% - 100%
44	47	87-88	93-94	Intensity Green	0 - 255	0 - 65,535	0% - 100%
45	48	89-90	95-96	Intensity Blue	0 - 255	0 - 65,535	0% - 100%
49-50		97-98		PAN	0 - 65,535		-150° - +150°
51-52		99-100		TILT	0 - 65,535		-150° - +150°
53-54		101-102		ZOOM (Not Supported)	0 - 65,535		0 - 100 (%)