



Q500-DC

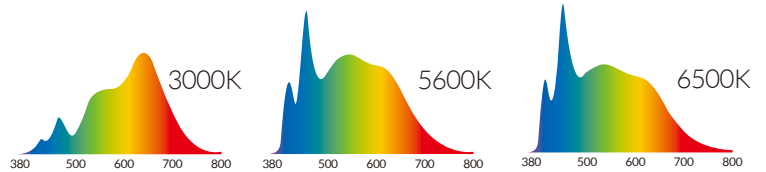
Cinematic LED Light

FEATURES

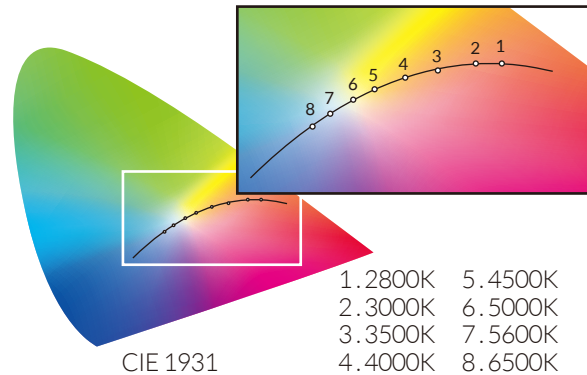
- 750W Equivalent Output (Tungsten) - Draw 185W
- Color Temperature Range 2800-6500K
- Hue Control $\pm .25$ Magenta / Green
- High CRI ≥ 93 (3000K-5600K)
- Full Spectrum Light Quality - No Spikes
- Dimming (100%-0.2%)
- Flicker Free at any Frame Rate
- Single Point Light Source
- Adjustable Beam Angle 49° to 27°
- Solid State Technology - No Bulbs to Replace
- DMX Control Built In
- LCD Display



FULL SPECTRUM



TUNABLE CCT & HUE



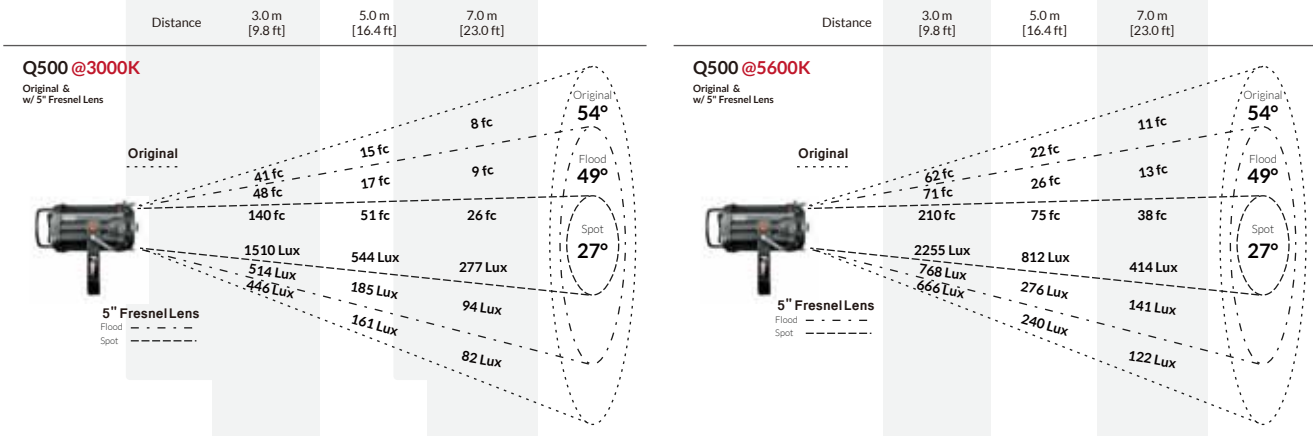
EXCELLENT COLOR RENDERING

CCT	R1	R2	R3	R4	R5	R6	R7	R8	R9	R10	R11	R12	R13	R14	R15	CRI _{Ra} *	CRI _{Ext} *	TLCI
3000K	99	97	91	97	97	95	98	97	88	86	96	83	98	93	97	96	94	96
5600K	93	97	97	91	93	95	94	87	61	88	90	84	93	99	90	94	90	95

Values in this table are typical.

*CRI_{Ra} is the averaged result of R1 to R8; CRI_{Ext} is the averaged value of R1 to R15.

PHOTOMETRIC DATA



SPECIFICATIONS

Size	L 12" x W 12.75" x H 15" (with Yoke) / L 12" x W 9" x H 6.75" (without Yoke)
Weight (Includes Yoke)	15.8 lbs / 7.2 kg (Body: 11.2 lbs / 5.1kg, Ballast: 3.5 lbs / 1.6 kg)
LED	Dense Matrix LED
Thermal Design	Advanced Vapor Cooling System
Beam Angle	54° (Without Accessories) 27°-49° (With 5" Fresnel Lens)
CCT Range	Continuous from 2800K to 6500K
Hue Control	plus/minus .25 Magenta/Green
Dimming	100 - 0.2%
CRI	≥93
Power Consumption	AC power 185W Max / DC power 170 W max Comparable in Output to 750W Tungsten
Power Input	AC Power: 100-240 V AC, 50~60Hz, Max 185W / DC Power: 22-50V DC, Max 170W
Input Port	Detachable Power Con Cable
DMX Control	2 XLR ports and 2 RJ45 ports (512 Addresses)
Temperature Range	32 - 104°F / 0 - 40° C (over temperature protection)

OPTIONAL ACCESSORIES & KITS



8" Fresnel Lens



Para Softbox Kit



PAR Reflector



Included in the K152 Kit