

P1X Spot Light (Track)

40W LED/ 60°



FLXP1X-CLR-BK-TOX-PSP-US



FLXP1X-CLR-WH-TOX-PST-US

ORDERING GUIDE

FLXP1X - - - TOX - -

Mode

CLR	All Modes
EZ	All EZ Modes
RGB	RGB Mode Only
CCT	Tunable CCT Mode Only
3200	Fixed 3200K
5600	Fixed 5600K

Finish

WH	White
BK	Black

Mount

TOX w/ O-type DMX Track Adapter

*Custom Track Adaptors Available

Power Supply & Control

PSP	Power Supply Side Mount w/ Pass-Through DMX
PST	Power Supply Top Mount w/ Pass-Through DMX

Plug/Connection

US	US 120V
EU	EU 220V

SPECIFICATIONS

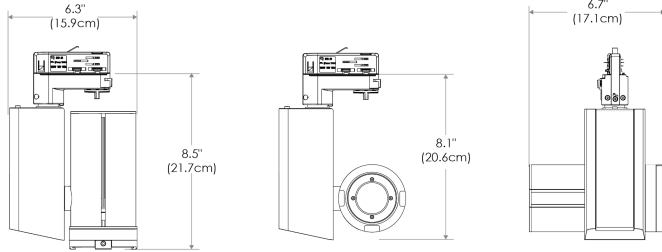
Beam Angle	60°
CRI / TLCI	95/90 typical
Dimming	100% - 0% flicker free
AC Power Draw	40W max
AC Input	100 - 240V AC, 50 - 60Hz
Control	Manual, DMX512
Cooling	Passive Cooling
Acoustic Noise	0 dBA (none)
Operating Temp.	32 - 104°F (0 - 40°C)
Weight (Fixture + Power Supply)	PSP: 4.4lb / 2.0kg PST: 4.0lb / 1.8kg
Approved Regulatory Standards	cETLus, FCC, CE, UKCA, RoHS, WEEE

- Cine-Grade Light Quality
- Point-Source LED
- DMX Controllable
- 40W Power Draw

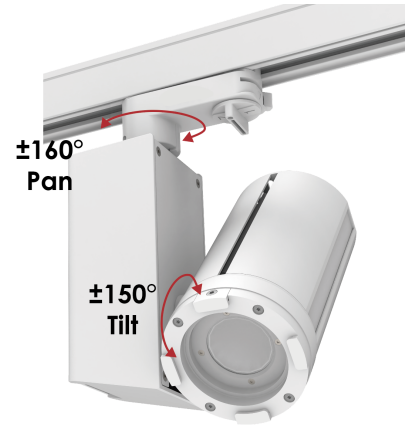
MECHANICAL FIGURES

PSP

US



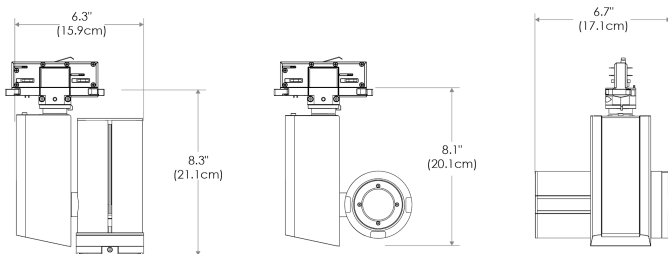
TILT/ROTATION



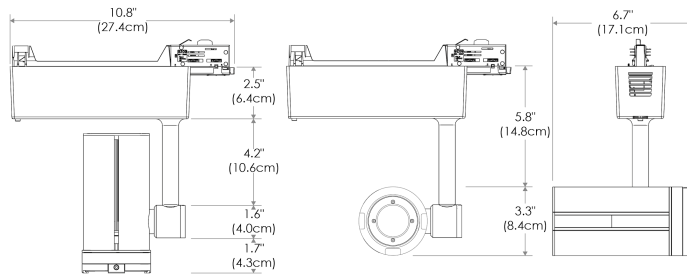
* Tilt/rotation applies to all options.

PSP

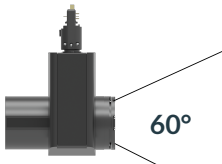
EU



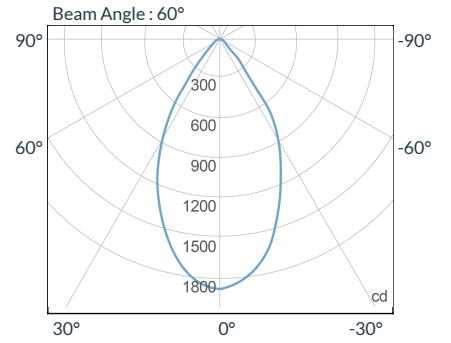
PST



PHOTOMETRIC DATA



Distance		3' (~0.9 m)	10' (~3.0 m)	15' (~4.6 m)
@3200K	fc	258	25	10
	lux	2773	266	113
@5600K	fc	254	24	10
	lux	2729	261	113
Beam Diameter		Ø 2.7' (~0.8m)	Ø 9.0' (~2.7m)	Ø 13.9' (~4.2m)



COMPATIBLE ACCESSORIES

(specify finish by adding -BK or -WH)



15' Safety Cable
FLXSAFETYCABLE



Studio Remote Patcher Utility
CXRPV



4 Leaf Barn Door
FLXP1X-BD4



DMX 6 Channel Controller
FLXCNTL-DMX6



0-10V to DMX Converter
KSUSCB1



DALI to DMX Converter
KSUSCB2