

P3L Ellipsoidal Light (Clamp)

90W LED/ 10° / 19° / 26° / 36° / 50°



ORDERING GUIDE

FLXP3L - - - **CLP** - **PSV** -

Beam Angle

10 10°
19 19°
26 26°
36 36°
50 50°

Mode

CLR All Modes
EZ All EZ Modes
RGB RGB Mode Only
CCT Tunable CCT Mode Only
3200 Fixed 3200K
5600 Fixed 5600K

Finish

WH White
BK Black

Mount

CLP Clamp Mount

Power Supply

PSV Power Supply

Plug/Connection

US US 120V
EU EU 220V

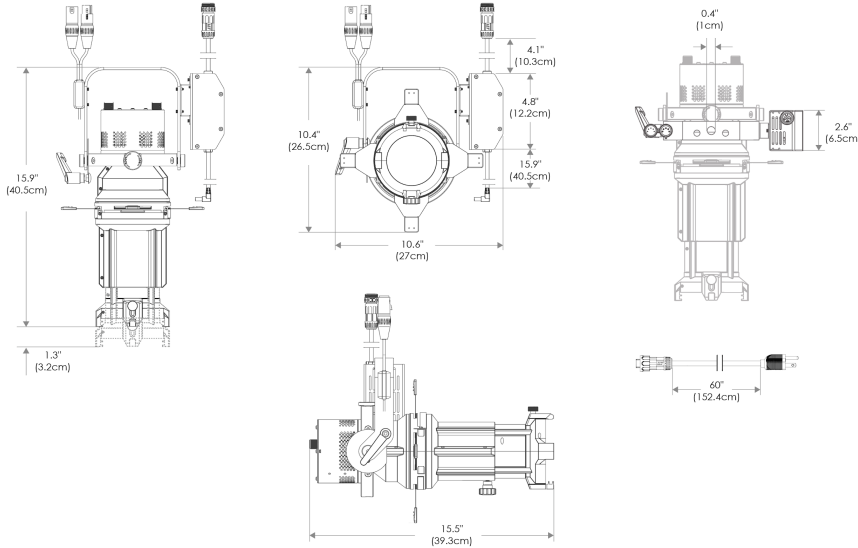
SPECIFICATIONS

Beam Angle	10° / 19° / 26° / 36° / 50°
CRI / TLCI	95/90 typical
Dimming	100% - 0% flicker free
AC Power Draw	90W max
AC Input	100 - 240V AC, 50 - 60Hz
Control	Manual, DMX512
Cooling	Fan Cooled
Acoustic Noise	19 dBA (Auto Mode)
Operating Temp.	32 - 104°F (0 - 40°C)
Weight (Fixture + Power Supply)	8.1lb / 3.7kg (With 19°/26°/36°/50° lens tube)
Weight (Fixture + Power Supply)	11.0lb / 5.0kg (With 10° lens tube)
Gobo Size	Diameter: M Size (66mm)
	Max Image: 48mm
	Max Thickness: 1mm
Approved Regulatory Standards	cETLus, FCC, CE, UKCA, RoHS, WEEE

- Cine-Grade Light Quality
- Point-Source LED
- DMX Controllable
- 90W Power Draw
- Carries Four Shutter Blades

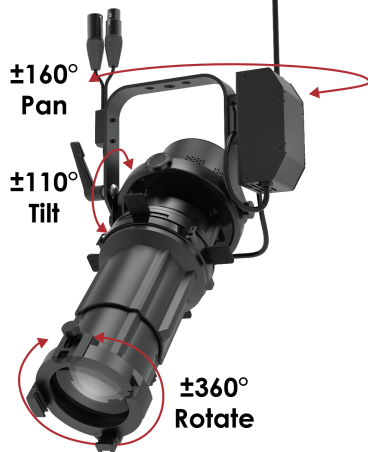
MECHANICAL FIGURES

19° / 26° / 36° / 50° Barrel



*PSV & PST configuration models come with standard DC cables of 16" and AC cables of 5'.

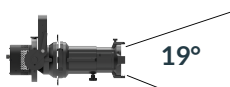
TILT/ROTATION



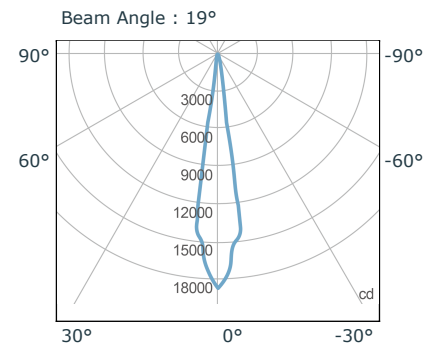
* Tilt/rotation applies to all options.

PHOTOMETRIC DATA

19 Degree

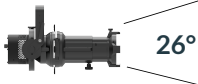


Distance		3' (~0.9 m)	10' (~3.0 m)	15' (~4.6 m)
@3200K	fc	2445	203	95
	lux	26321	2180	1020
@5600K	fc	2321	192	90
	lux	24988	2070	970
Beam Diameter		Ø 0.9' (~0.3m)	Ø 3.0' (~0.9m)	Ø 4.5' (~1.4m)

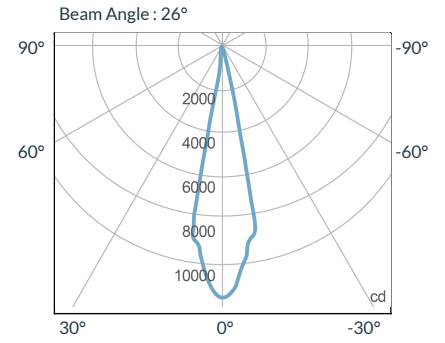


PHOTOMETRIC DATA

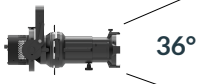
26 Degree



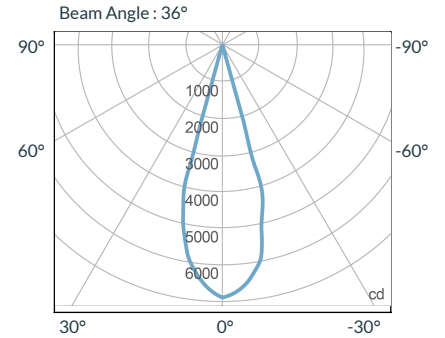
Distance		3' (~0.9 m)	10' (~3.0 m)	15' (~4.6 m)
@3200K	fc	1491	125	59
	lux	16049	1350	636
@5600K	fc	1413	119	56
	lux	15210	1280	604
Beam Diameter		Ø 1.1' (~0.3m)	Ø 3.6' (~1.1m)	Ø 5.6' (~1.7m)



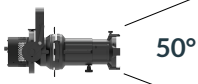
36 Degree



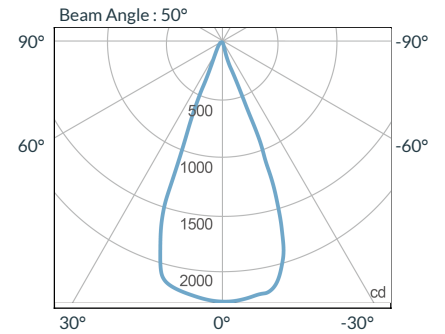
Distance		3' (~0.9 m)	10' (~3.0 m)	15' (~4.6 m)
@3200K	fc	885	76	35
	lux	9531	814	381
@5600K	fc	844	72	34
	lux	9086	773	363
Beam Diameter		Ø 1.6' (~0.5m)	Ø 5.3' (~1.6m)	Ø 8.1' (~2.5m)



50 Degree



Distance		3' (~0.9 m)	10' (~3.0 m)	15' (~4.6 m)
@3200K	fc	279	24	11
	lux	3007	259	123
@5600K	fc	264	23	11
	lux	2840	247	118
Beam Diameter		Ø 2.3' (~0.7m)	Ø 7.7' (~2.3m)	Ø 11.8' (~3.6m)



MODE DESCRIPTION

Mode Description	Available Modes
- CLR	All Modes (8 bit and 16 bit)
- EZ	All EZ Modes (8 bit) (EZ CCT / EZ HSI / EZ RGBW / EZ RGB / EZ ICTHS / EZ ICT RGBW / EZ 3200K / EZ 5600K)
- RGB	EZ RGB (8 bit)
- CCT	EZ CCT (8 bit)
- 3200	EZ 3200K (8 bit)
- 5600	EZ 5600K (8 bit)

See Downloads portion of webpage for full DMX profiles

COMPATIBLE ACCESSORIES

(specify finish by adding -BK or -WH)



15' Safety Cable
FLXSAFETYCABLE



2" Diameter Clamp
FLXCLAMP



Studio Remote Patcher Utility
CXRPV



Leko Lens Tube
10deg
FLXP3L-LEKO10



Leko Lens Tube
19deg
FLXP3L-LEKO19



Leko Lens Tube
26deg
FLXP3L-LEKO26



Leko Lens Tube
36deg
FLXP3L-LEKO36



Leko Lens Tube
50deg
FLXP3L-LEKO50



Leko Gobo Holder
FLXP3L-
GOBOHOLDER



Leko Gobo Set of 4
FLXP3L-GOBOSET



Leko Iris
FLXP3L-IRIS



Leko Gel Holder
FLXP3L-GELHOLDER



0-10V to DMX Converter
KSUSCB1



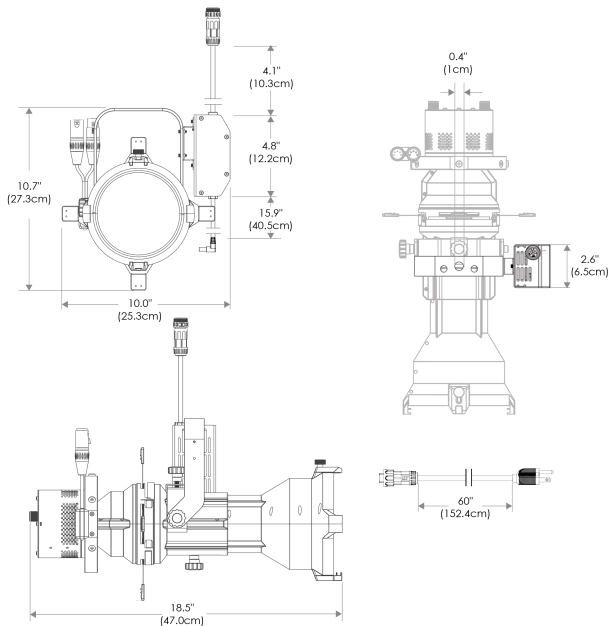
DMX 6 Channel Controller
FLXCNTL-DMX6



DALI to DMX Converter
KSUSCB2

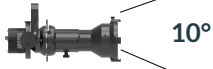
MECHANICAL FIGURES

10° Barrel



PHOTOMETRIC DATA

10 Degree



Distance		3' (~0.9 m)	10' (~3.0 m)	15' (~4.6 m)
@3200K	fc	7294	541	252
	lux	78519	5820	2716
@5600K	fc	6836	512	238
	lux	73580	5510	2566
Beam Diameter		Ø 0.5' (~0.1m)	Ø 1.6' (~0.5m)	Ø 2.4' (~0.7m)

