

P3W Wash Light (Track)

90W LED/ Wall Wash



ORDERING GUIDE

FLXP3W - - - **TOX** - **PSP** -

Mode

CLR All Modes
EZ All EZ Modes
RGB RGB Mode Only
CCT Tunable CCT Mode Only
3200 Fixed 3200K
5600 Fixed 5600K

Finish

WH White
BK Black

Mount

TOX w/ O-type DMX Track Adapter
 *Custom Track Adaptors Available

Power Supply & Control

PSP Power Supply w/ Pass-Through DMX

Plug/Connection

US US 120V
EU EU 220V

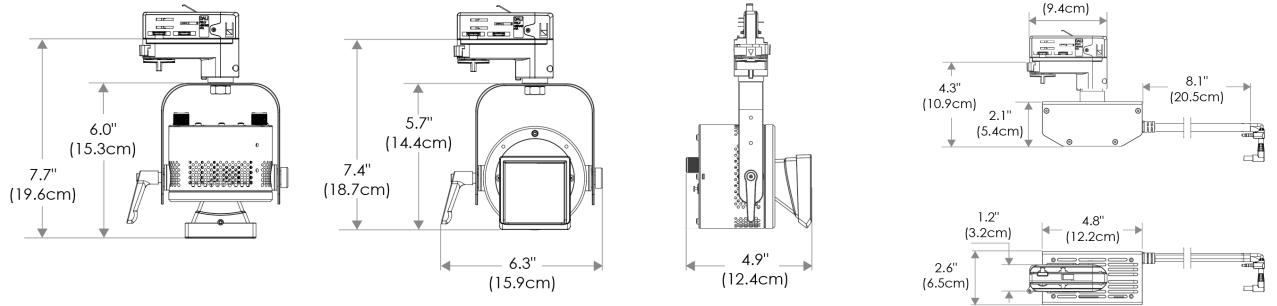
SPECIFICATIONS

CRI / TLCI	95/90 typical
Dimming	100% - 0% flicker free
AC Power Draw	90W max
AC Input	100 - 240V AC, 50 - 60Hz
Control	Manual, DMX512
Cooling	Fan Cooled
Acoustic Noise	19 dBA (Auto Mode)
Operating Temp.	32 - 104°F (0 - 40°C)
Weight (Fixture + Power Supply)	3.0lb / 1.5kg
Approved Regulatory Standards	cETLus, FCC, CE, UKCA, RoHS, WEEE

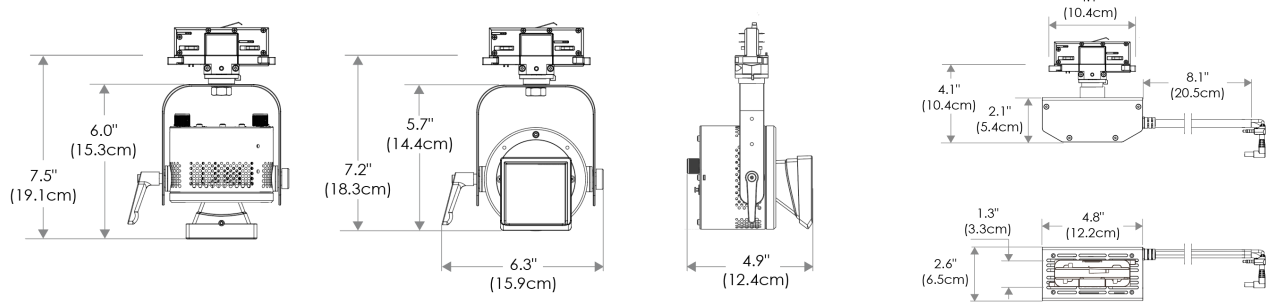
- Cine-Grade Light Quality
- Point-Source LED
- DMX Controllable
- 90W Power Draw
- Compact (< 8" of Vertical Space)

MECHANICAL FIGURES

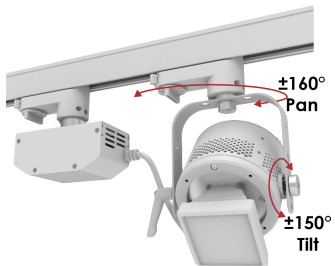
PSP **US**



PSP **EU**

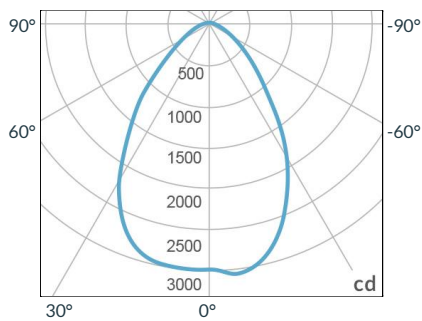


TILT/ROTATION



* Tilt/rotation applies to all options.

PHOTOMETRIC DATA



MODE DESCRIPTION

Mode Description	Available Modes
- CLR	All Modes (8 bit and 16 bit)
- EZ	All EZ Modes (8 bit) (EZ CCT / EZ HSI / EZ RGBW / EZ RGB / EZ ICTHS / EZ ICT RGBW / EZ 3200K / EZ 5600K)
- RGB	EZ RGB (8 bit)
- CCT	EZ CCT (8 bit)
- 3200	EZ 3200K (8 bit)
- 5600	EZ 5600K (8 bit)

See Downloads portion of webpage for full DMX profiles

COMPATIBLE ACCESSORIES

(specify finish by adding -BK or -WH)



15" Safety Cable
FLXSAFETYCABLE



Studio Remote Patcher Utility
CXRPU



0-10V to DMX Converter
KSUSCB1



DMX 6 Channel Controller
FLXCNTL-DMX6



DALI to DMX Converter
KSUSCB2