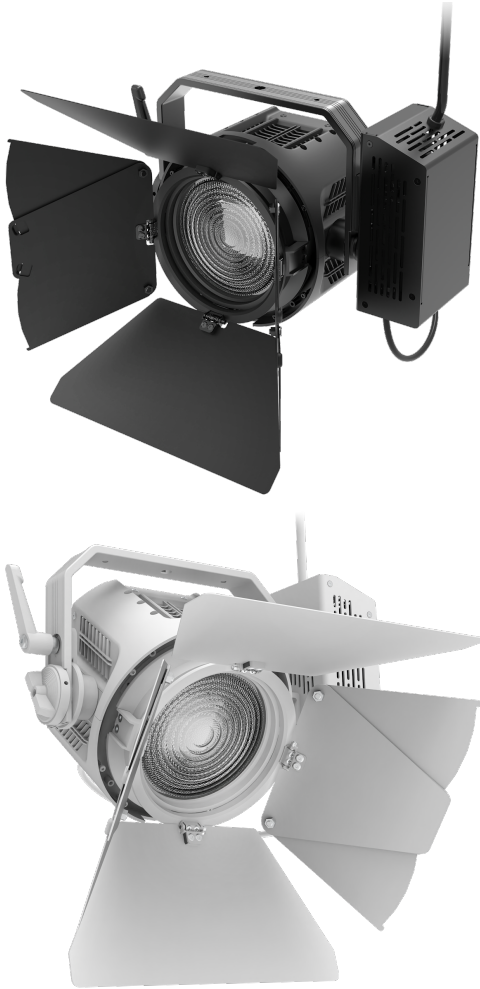


P5F Fresnel Light (Clamp)

175W LED/ 12°- 55°



ORDERING GUIDE

FLXP5F - - - **CLP** - **PSV** -

Mode

CLR	All Modes
EZ	All EZ Modes
RGB	RGB Mode Only
CCT	Tunable CCT Mode Only
3200	Fixed 3200K
5600	Fixed 5600K

Finish

WH	White
BK	Black

Mount

CLP	Clamp Mount
------------	-------------

Power Supply

PSV	Power Supply
------------	--------------

Plug/Connection

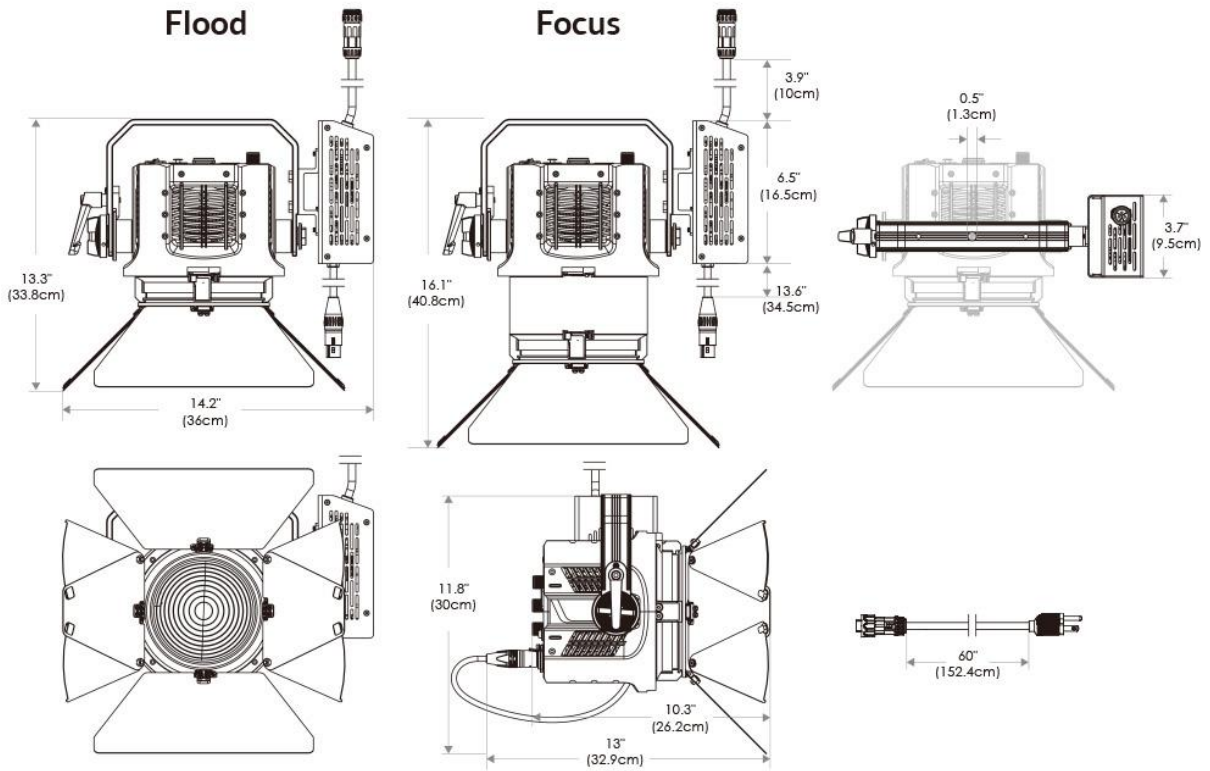
US	US 120V
EU	EU 220V

SPECIFICATIONS

Beam Angle	12°- 55°
CRI / TLCI	95/90 typical
Dimming	100% - 0% flicker free
AC Power Draw	175W max
AC Input	100 - 240V AC, 50 - 60Hz
Control	Manual, DMX512
Cooling	Fan Cooled
Acoustic Noise	23 dBA (Auto Mode)
Operating Temp.	32 - 104°F (0 - 40°C)
Weight (Fixture + Power Supply)	9.6lb / 4.4kg
Approved Regulatory Standards	cETLus, FCC, CE, UKCA, RoHS, WEEE

- Cine-Grade Light Quality
- Point-Source LED
- DMX Controllable
- 175W Power Draw
- Compact (< 12" of Vertical Space)

MECHANICAL FIGURES

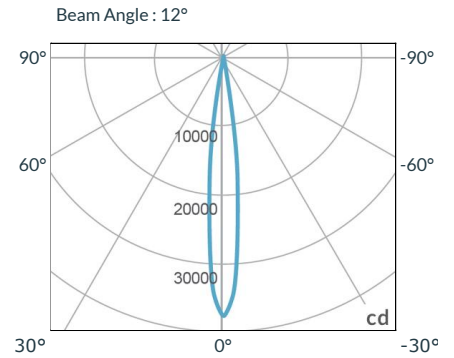


*PSV & PST configuration models come with standard DC cables of 16" and AC cables of 5'.

PHOTOMETRIC DATA

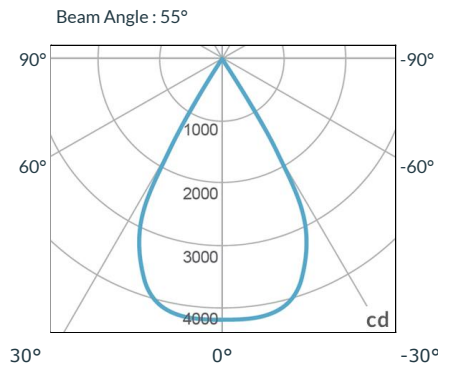
Focus

	Distance		3' (~0.9 m)	10' (~3.0 m)	15' (~4.6 m)
12°	@3200K	fc	3150	359	128
		lux	33907	3865	1378
12°	@5600K	fc	3296	376	134
		lux	35478	4048	1443
	Beam Diameter		Ø 0.7' (~0.2m)	Ø 2.1' (~0.6m)	Ø 3.5' (~1.1m)



Flood

	Distance		3' (~0.9 m)	10' (~3.0 m)	15' (~4.6 m)
55°	@3200K	fc	385	45	17
		lux	4145	485	183
55°	@5600K	fc	406	47	18
		lux	4371	506	194
	Beam Diameter		Ø 0.9' (~0.6m)	Ø 8.6' (~2.6m)	Ø 14.4' (~4.4m)



MODE DESCRIPTION

Mode Description	Available Modes
- CLR	All Modes (8 bit and 16 bit)
- EZ	All EZ Modes (8 bit) (EZ CCT / EZ HSI / EZ RGBW / EZ RGB / EZ ICTHS / EZ ICT RGBW / EZ 3200K / EZ 5600K)
- RGB	EZ RGB (8 bit)
- CCT	EZ CCT (8 bit)
- 3200	EZ 3200K (8 bit)
- 5600	EZ 5600K (8 bit)

See Downloads portion of webpage for full DMX profiles

TILT/ROTATION



* Tilt/rotation applies to all options.

COMPATIBLE ACCESSORIES

(specify finish by adding -BK or -WH)



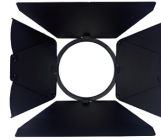
15' Safety Cable
FLXSAFETYCABLE



2' Diameter Clamp
FLXCLAMP



Studio Remote Patcher Utility
CXRPV



P5F Barndoor 8 Leaf
FLXP5F-BD8



DMX 6 Channel Controller
FLXCNTL-DMX6



0-10V to DMX Converter
KSUSCB1



DALI to DMX Converter
KSUSCB2