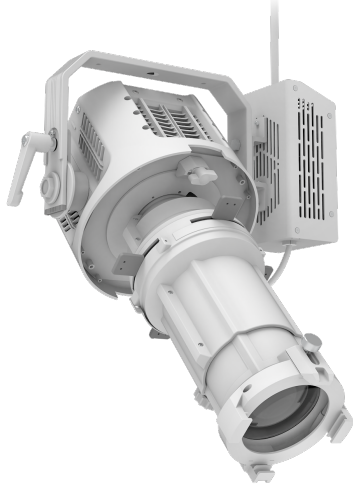


P5L Ellipsoidal Light (Clamp)

175W LED/ 19° / 36° / 50°



ORDERING GUIDE

FLXP5L - - - - **CLP** - **PSV** -

Beam Angle

19 19°
36 36°
50 50°

Mode

CLR All Modes
EZ All EZ Modes
RGB RGB Mode Only
CCT Tunable CCT Mode Only
3200 Fixed 3200K
5600 Fixed 5600K

Finish

WH White
BK Black

Mount

CLP Clamp Mount

Power Supply & Control

PSV Power Supply

Plug/Connection

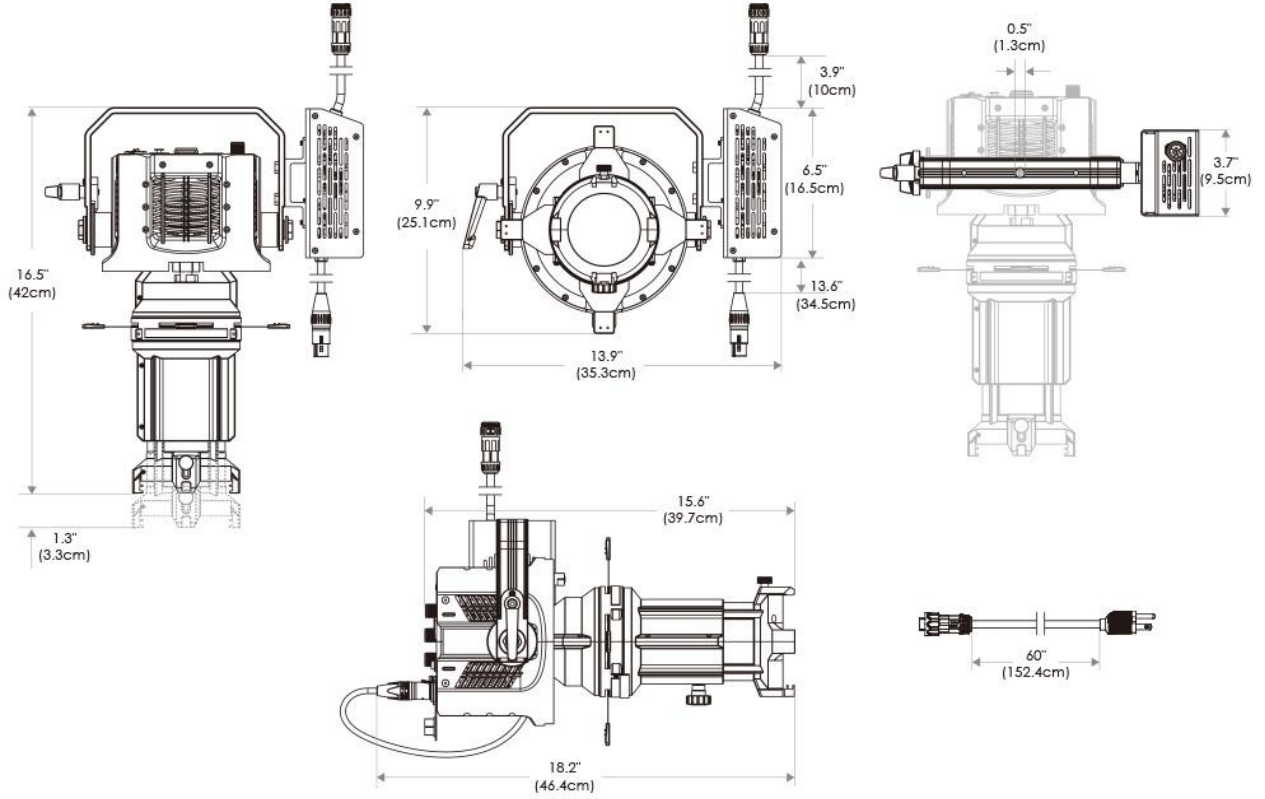
US US 120V
EU EU 220V

SPECIFICATIONS

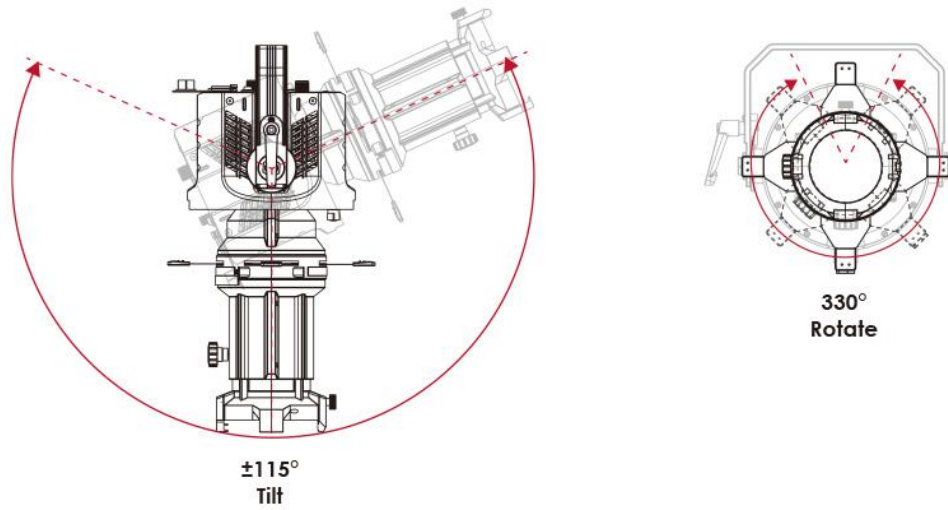
Beam Angle	19° / 36° / 50°
CRI / TLCI	95/90 typical (in CCT Mode of 2800K-6500K)
Dimming	100% - 0% flicker free
AC Power Draw	175W max
AC Input	100 - 240V AC, 50 - 60Hz
Remote Control	DMX 512
Cooling	Fan Cooled
Acoustic Noise	23 dBA (Auto Mode)
Operating Temp.	32 - 104°F (0 - 40°C)
Weight (Fixture + Power Supply)	12.3lb / 5.6kg
Gobo Size	Diameter: M Size (66mm)
	Max Image: 48mm
	Max Thickness: 1mm

- Cine-Grade Light Quality
- Point-Source LED
- DMX Controllable
- 175W Power Draw
- Carries Four Shutter Blades

MECHANICAL FIGURES

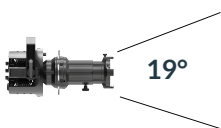


TILT/ROTATION

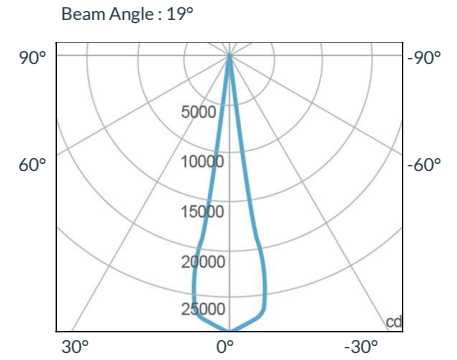


PHOTOMETRIC DATA

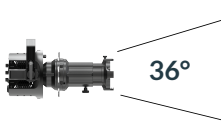
19 Degree



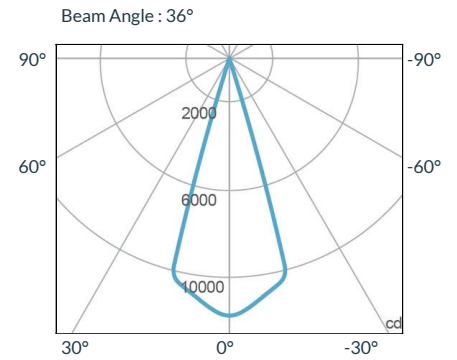
Distance		3' (~0.9 m)	10' (~3.0 m)	15' (~4.6 m)
@3200K	fc	4771	374	175
	lux	51355	4026	1884
@5600K	fc	5001	392	183
	lux	53831	4220	1970
Beam Diameter		Ø 0.9' (~0.3m)	Ø 3.0' (~0.9m)	Ø 4.6' (~1.4m)



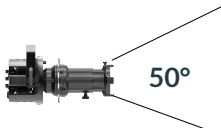
36 Degree



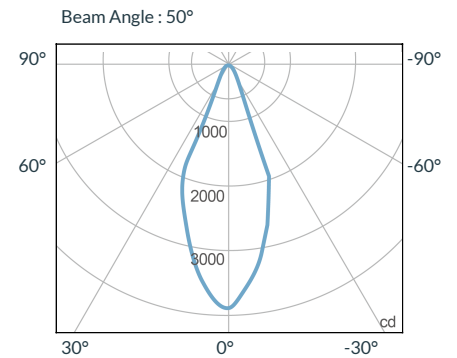
Distance		3' (~0.9 m)	10' (~3.0 m)	15' (~4.6 m)
@3200K	fc	1619	131	61
	lux	17427	1411	657
@5600K	fc	1715	139	65
	lux	18461	1497	700
Beam Diameter		Ø 1.7' (~0.5m)	Ø 5.8' (~1.8m)	Ø 8.9' (~2.7m)



50 Degree



Distance		3' (~0.9 m)	10' (~3.0 m)	15' (~4.6 m)
@3200K	fc	477	43	21
	lux	5135	463	227
@5600K	fc	557	46	20
	lux	5996	496	216
Beam Diameter		Ø 1.9' (~0.6m)	Ø 6.3' (~1.9m)	Ø 9.6' (~2.9m)



ACCESSORIES

(specify finish by adding -BK or -WH)



Leko Gobo Holder
FLXP5L-GOBOHOLDER



Leko Gobo Set of 4
FLXP5L-GOBOSSET



Leko Iris
FLXP5L-IRIS



Leko Gel Holder
FLXP5L-GELHOLDER



DMX 6 Channel Controller
FLXCNTL-DMX6