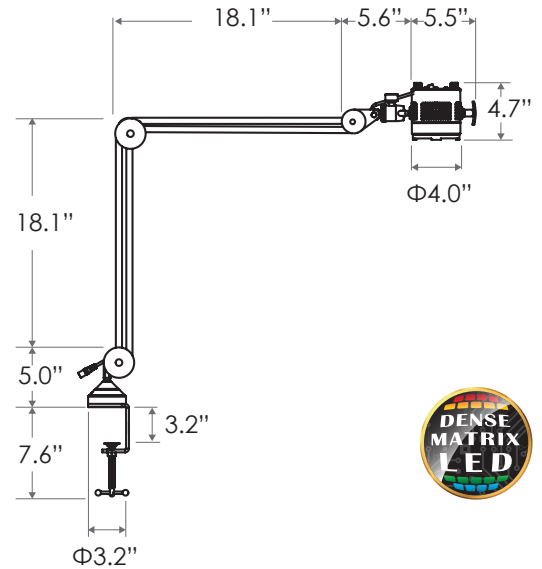


V360

Versatile Viewing Lamp

The **V360** is an extremely versatile LED task lamp designed for professionals who require color-critical illumination.

The V360 draws 90W of power to produce LED output greater than a traditional 300W bulb. Its color temperature can be adjusted from 2800-6500K, which covers the standard D65 (6500K), D50 (5000K), Middle Warm (4000K), and Warm (3000K) settings. The color rendering is carefully calibrated at all settings, giving the light an average CRI of 95. The fixture is also dimmable from 100-0%, with accurate light quality maintained throughout the intensity range.



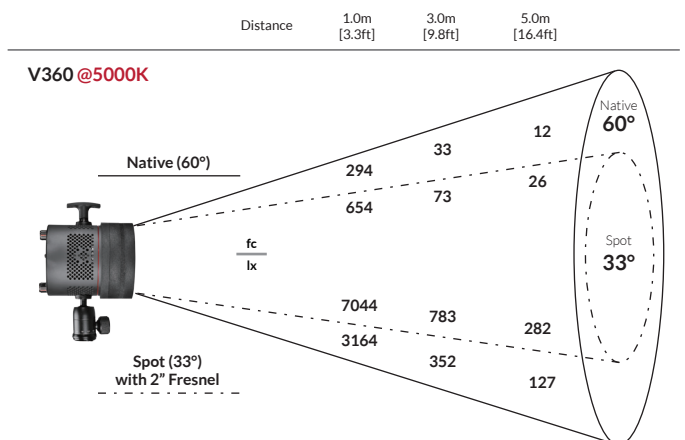
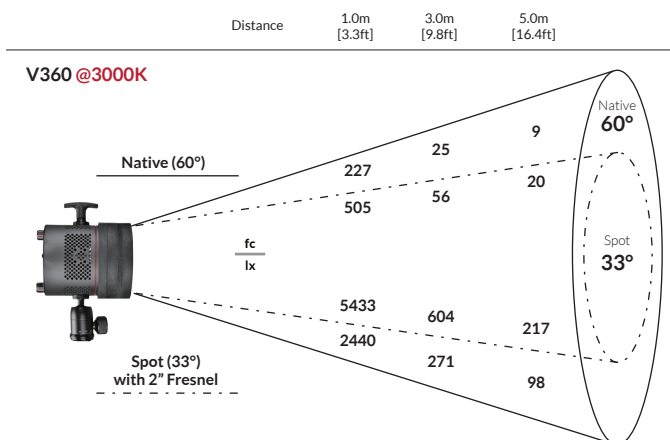
FEATURES

- 2800 - 6500K continuous CCT tuning
- 300W tungsten output (90W draw)
- High CRI values at every color temperature
- Does not emit UV light/radiation
- Dims to 0% without flicker or color shift
- Precise color calibration for consistent quality
- OLED display for monitoring settings
- Quiet and cool to the touch
- Water resistant (IP-X4)
- Ergonomically designed
- Versatile mounting
- Optional light modifiers available

SPECIFICATIONS

Beam Angle	60° (33° with 2" fresnel)
CCT Range	2800 - 6500K continuous tuning
CRI	95 typical
TLCI	90 typical
Dimming	100% - 0% flicker free
Light Engine	Dense Matrix LED
Power Draw	90W max
DC Input	12 - 30V DC
AC Input	100 - 240V AC, 50 ~ 60Hz
DMX Control	2-CH (intensity, CCT) via TRRS Ports
Display Type	OLED
Weight	7.5lb / 3.4kg
Light Size (L x W x H)	5.5" x 4.0" x 4.7" / 14.0cm x 10.2cm x 12.0cm
Arm Size	Fully extended: 36.2" / 91.9cm Base: W 3.2" x H 7.6" / W 8.1cm x H 19.3cm
Mount Style	Table mount (0 - 2.8" gap) Base adapter (fits baby 5/8" & junior 1-1/8" studs)
Thermal Design	Advanced vapor cooling system (fan cooled)
Acoustic Noise	22.7dB (professional recording studio level)
Operating Temperature	32 - 104°F / 0 - 40°C

PHOTOMETRIC DATA



210222A