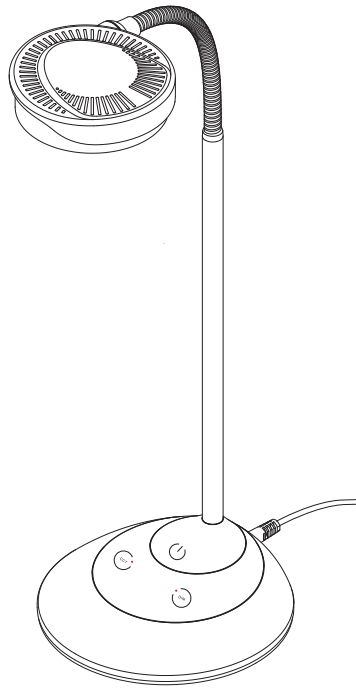


Fiilex



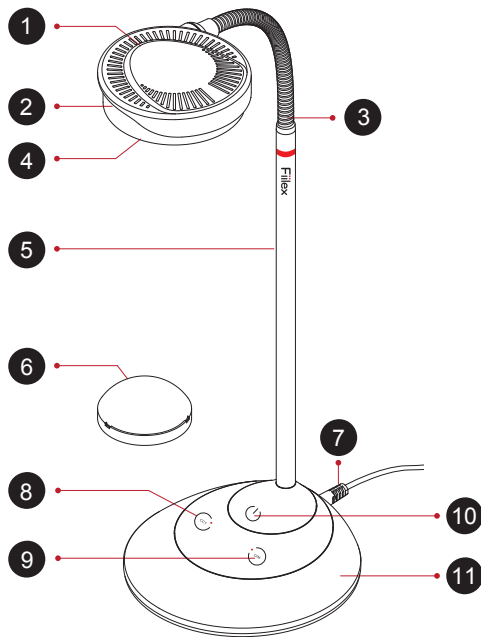
V70

FLXV071

User Manual

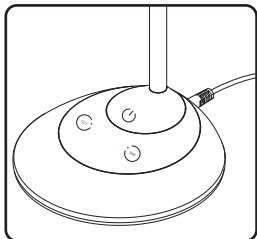
General Notes

- Please read the following operating instructions very carefully before using this fixture for the first time. They contain important information on the operation of Fiilex lighting equipment.
- For your own safety, please follow all safety instructions and warnings.
- Please also follow the operating instructions of the light and power adapter manufacturers.
- Keep these operating instructions for you and subsequent users for reference in the future.
- For further information, please ask your retailer or inquire at your local authorities. Only use Fiilex spare parts and accessories (www.fillex.com).



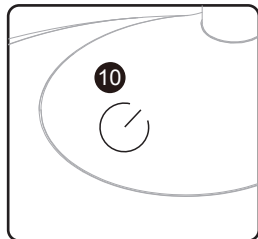
Parts Diagram

1. Air Vents
2. Lamp Cover
3. Flexible Arm
4. Lens
5. Stand
6. Dome Diffuser
7. DC Plug
8. CCT Touch Panel
9. DIM Touch Panel
10. Power Touch Panel
11. Base



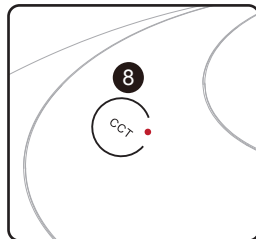
Plugging In

Plug the DC Plug (7) into the lamp and the AC power plug into wall outlet.



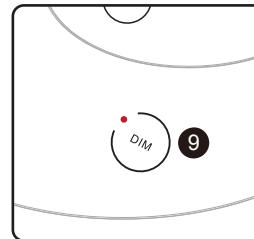
Turning On

Tap the Power Touch Panel (10) to turn the V70 on.



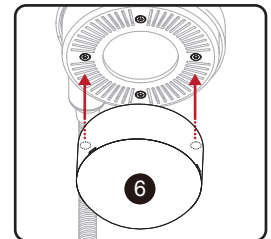
Change the Color Temperatures

Tap the CCT Touch Panel (8) to change color temperatures.



Change the Intensity

Hold the DIM Touch Panel (9) to adjust the intensity of any color temperature. Tap the panel again to return the light to the high intensity setting.



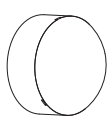
Mounting Diffuser

Align the Dome Diffuser's (6) magnets with the screws on the lamp head.

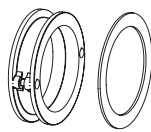
Compatible Accessories



Fresnel Lens

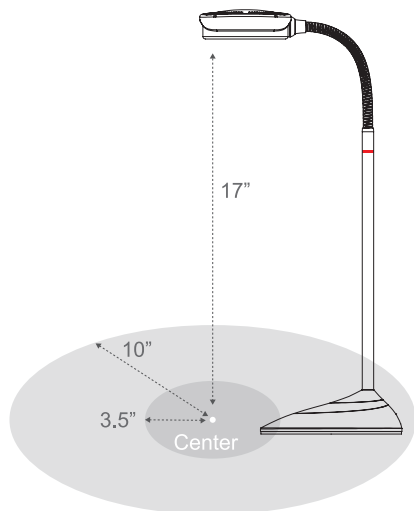


Dome Diffuser



Magnetic Gel Holder

Photometrics



Highest Intensity

Position	3000K	4000K	5000K	6500K
Center	1382 lux	1543 lux	1595 lux	1605 lux
3.5"	1254 lux	1403 lux	1450 lux	1462 lux
10"	666 lux	750 lux	780 lux	795 lux

Lowest Intensity

Position	3000K	4000K	5000K	6500K
Center	286 lux	291 lux	278 lux	303 lux
3.5"	260 lux	266 lux	252 lux	276 lux
10"	140 lux	144 lux	137 lux	151 lux

Specifications

CCT Range	3000K / 4000K / 5000K / 6500K
Light Engine	Dense Matrix LED
Power Draw	11 - 13W Max
DC Input	12 - 28V DC
AC Input	100 - 240V AC, 50 ~ 60Hz
Weight	2.8lbs / 1.3kg
Size (W x H)	6.8in x 27.2in / 17.3cm x 69.1cm
Thermal Design	Passive Cooling System
Operating Temperature	32 - 104°F / 0 - 40°C
LED Lifetime	42,000 hours
Certifications	FCC, CE, UL

Safety

- The V70 Print Viewing Lamp is design for indoor use only.
- Do NOT attempt to disassemble V70, doing so will immediately void the factory warranty.
- Check the AC main voltage before use (between 100-240V AC at 50-60Hz). Inappropriate voltage will cause damage to the electronic parts of the lamp and the power supply.
- Strong surrounding radio frequencies may interfere with the lamp's touch function.
- Keep operation temperatures within 0°C ~ 40°C.
- Only use a soft, dry towel to gently clean the exterior of the light.
- Do NOT expose the product to high humidity.
- Keep air vents clear to avoid overheating the lamp.

Warranty

Unless otherwise stated, your product is covered by a **one year parts and labor limited warranty**. Fiilex guarantees, to the original buyer, that this product is to be free of defects in both workmanship and material for a period of one year from the date of shipment. This warranty extends to all products which have proved defective through normal use but excludes products that have been disassembled, modified or misused by the buyer or any other person. This warranty is in lieu of all other warranties, and disclaims all warranties expressed or implied, including any warranty of merchantability, fitness for a particular purpose, or arising from the course of dealing between the parties or usage of trade.

Returning an Item Under Warranty for Repair

It is necessary to obtain a Return Authorization Number (RA#) from your dealer/ point of purchase BEFORE any units are returned for repair. Fiilex will make the final determination as to whether or not the unit is covered by warranty. Fiilex will replace or repair to proper working condition any products that are returned under warranty. Products repaired or replaced under warranty are under warranty only for the remaining unexpired period of time of the original warranty.

Any Product unit or part returned to Fiilex must be packaged in a suitable manner to ensure the protection of such Product unit or parts. The package must be clearly and prominently marked to indicate that the package contains returned product units or parts with a Return Authorization (RA#) number. All returned product units or parts must be accompanied by a written explanation of the alleged problem or malfunction.