

P/N: FLXA095

The Fiilex Wall Controller is designed for easy integration into Fiilex track LED installations. The controller allows for streamlined remote operation of Fiilex track lights via direct settings adjustments or programmable scenes.

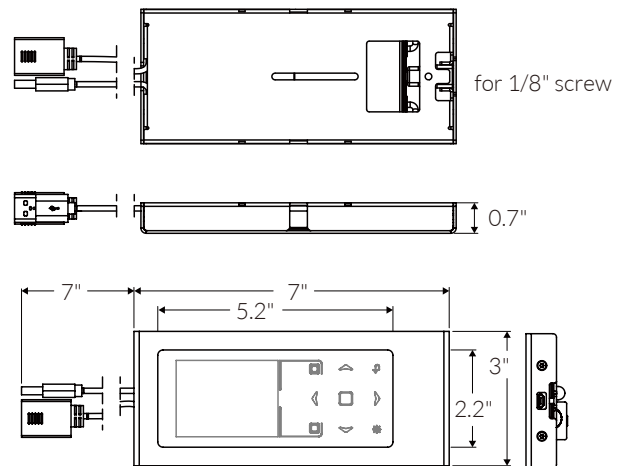
FEATURES

- DMX512 & RDM ready
- Intuitive touch-button interface
- Streamlined multi-group control
- Programmable scheduling for automated lighting
- Quick access buttons for customizable scenes
- Extended features with updatable firmware
- Low profile installation via 1-gang or surface mounting
- Portrait or landscape screen orientation
- Available in black or white finish
- Seamless integration with Fiilex track fixtures

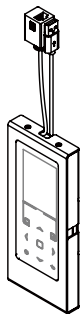


SPECIFICATIONS

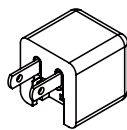
Power Input	5V DC (USB-A)
Connectivity	DMX512 RDM (RJ45)
Firmware Interface	Mini USB
Mounting	1-Gang or Surface Mount
Weight	0.82lbs / 372g
Operating Temperature	32 - 104°F / 0 - 40° C
Certifications	FCC



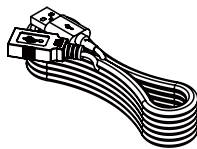
ITEMS INCLUDED



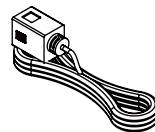
Wall Controller



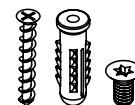
5V/1A Power Adapter
(for surface mounting)



70" USB-A Cable



15" RJ45 Cable



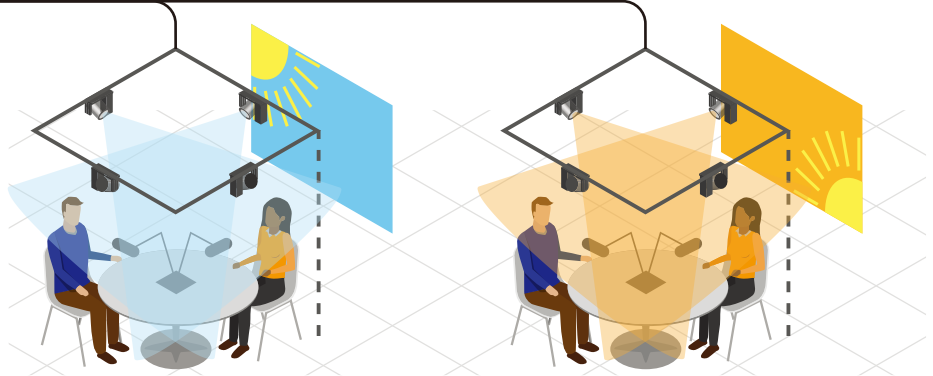
M3 Hardware



M8 Wrench

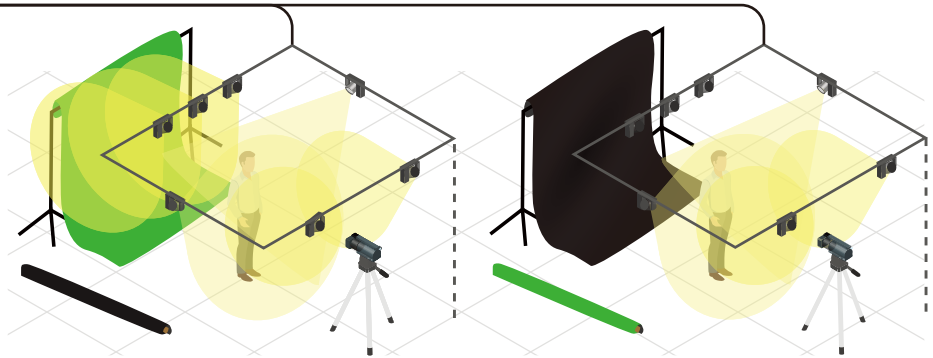
190424A3

QUICK SCENE SELECTION



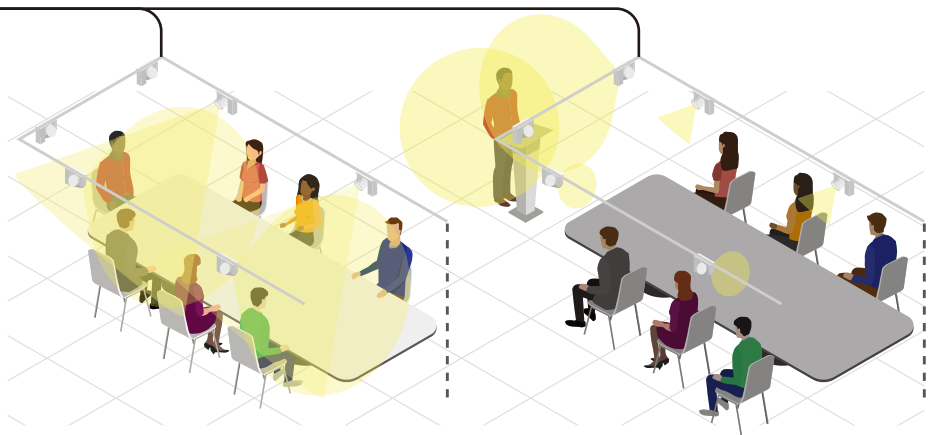
Recording Space with Ambient Light

In this tight recording space, ambient sunlight can be easily matched by adjusting the track lighting's color temperature.



Small Studio

With Fiilex track lighting, this small, low-ceilinged studio can isolate lighting between subject and backdrop.



Flexible Corporate Meeting Space

This corporate meeting space switches between presentation lighting and general lighting with the press of a button.

- Up to 30 scene presets can be saved to the controller's memory.
- Access two scenes via quick select buttons (□□).
- Additional scenes accessible via simple menu navigation.