

P100
“The Brick”
Portable LED Light

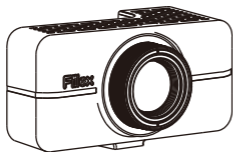
User Manual

Table of Contents

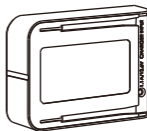
What's In The Box	1
Getting To Know The Light	2
Set Up And Basic Operation	4
Optional Accessories	6
Specifications	7
For Your Safety	7
Warranty	8

What's In The Box

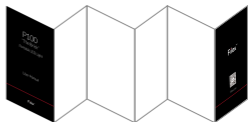
- P100 Light



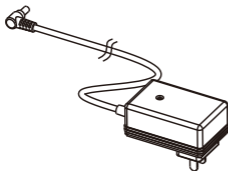
- Rechargeable Battery



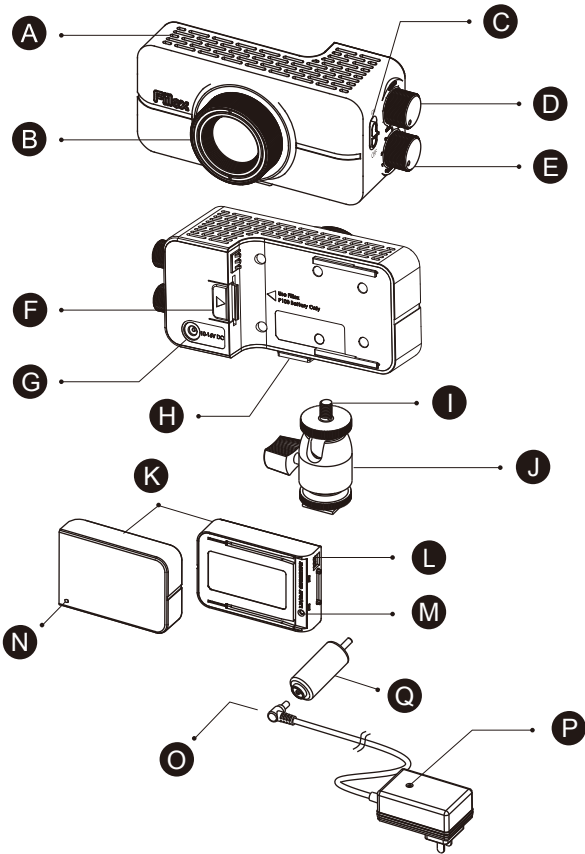
- Cold Shoe w/ Mini Ball Head
- User Manual



- Power Charger

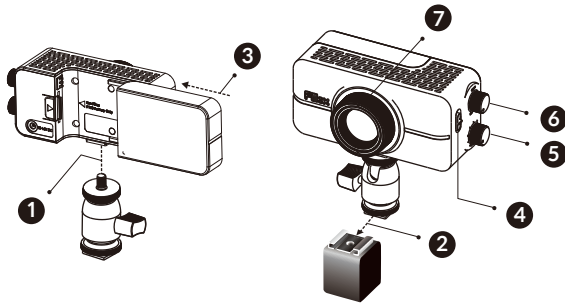


Getting To Know The Light



- A Air Vents
- B Beam Shaper
- C On/Off Switch
- D CCT Tuning Knob (3000-5600K)
- E Intensity Knob
- F Battery Lock
- G DC Power Input Jack
- H 1/4" - 20 Female Accessory Mount
- I 1/4" - 20 Male Thread
- J Cold Shoe w/ Mini Ball Head
- K Battery
- L Battery Pin
- M Power Charger Input Jack
- N Battery Indicator Light
- O Power Charger Connector
- P Charge State Light
- Q Plug Jack Converter

Set Up And Basic Operation



- 1 Insert 1/4" - 20 Male Thread (I) into 1/4" - 20 Female Mount (H).
- 2 Mount P100 to the cold/hot shoe of your camera via Cold Shoe w/ Mini Ball Head (J).
- 3 Slide Battery (K) into P100, or plug Connector of Power Charger (O) into DC Power Input Jack (G). P100 can be powered in two ways: with the provided Fiilex Battery (K), or via an optional D-Tap Cable connected to an external battery source (not included).
- 4 Slide On/Off Switch (C) to turn on P100.
- 5 Adjust intensity with Intensity Knob (E).
- 6 Adjust the color temperature with CCT Tuning Knob (D).
- 7 Adjust beam angle with Beam Shaper (B).

Remove Battery

Press Battery Lock (F) and slide Battery (K) away.

Charge

There are two options for charging the P100. The first option uses AC power to charge the battery while simultaneously running the light. The second option charges the battery separately.

Option 1. Insert the Power Charger Connector (O) into the Power Charger Input Jack (G) on the P100 Brick Light. Plug the Power Charger into a standard AC wall outlet to charge.

Option 2. Remove Battery (K) from the P100 Brick Light. Insert the Power Charger Connector (O) into the DC Plug Converter (Q), then plug the DC Plug Converter (Q) into the Power Charger Input Jack (M) on the Battery (K). Plug the Power Charger into a standard AC wall outlet.

When charging, the Charge State Light (P) on the Power Charger turns red. The Charge State Light (P) turns green when the battery is fully charged.

Battery Indicator Light

The Battery Indicator Light (N), located on the back of the battery, will show the user the remaining charge of the battery by lighting one of the following colors:

- Green = Battery 50-100%
- Orange = Battery 20-50%
- Red = Battery <20%

Battery Indicator Light (N) is an estimated measure, the color status may fluctuate from time to time depending on the intensity setting of the P100.

Note

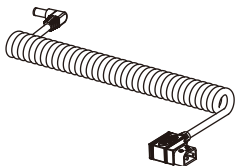
- * P100 is powered by a rechargeable Li-ion battery. Use only Fiilex approved batteries and chargers.
- * You must fully charge the battery for the first time. A discharged battery recharges fully in approximately 3 hours.
- * Battery only charges through Power Charger Input Jack (M) on battery.
- * For connection to an electrical supply not located in the U.S., you must use an adapter of the proper configuration for the power outlet. Use of the wrong adapter and/or power configuration could result in damage to the P100 and void your warranty.
- * Stop using if it expands or the temperature is over 40 °C (104°F) or under 0 °C (32°F).

Optional Accessories

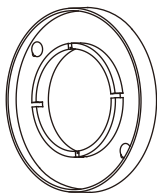
Half Yoke



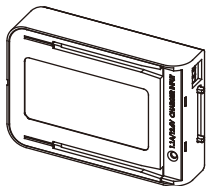
D-tap Cable



P100 Accessory Mount



Rechargeable Battery



See website for additional accessories. www.fiilex.com

Specifications

Size 5.8" (Length) × 2.8" (Width) × 2.8" (Height)

Light Weight 0.59 lb/ 270 g

LED Dense Matrix LED

Thermal Design Passive Cooling System (without Fan)

CCT Range Continuous from 3000K to 5600K

CRI ≥ 92

Power Consumption 12W Max.

Input 9 to 13V DC

AC Adapter 100-240VAC, 50-60Hz(In)/ 12.6V DC, 2A(Out)

Battery Li-ion Rechargeable Battery/11.1V \approx 2600mAh/29Wh

Operating Temperature 0 to 40 °C

For Your Safety

- Do not attempt to disassemble the body of P100.
- Do not install P100 in a damp or wet area.
- Do not cover the air vents.
- Use only the included power supply.
Failure to do so may cause damage to the LED light.
- Use only a soft, dry towel to gently clean the exterior of the light.
- Do not attempt to disassemble, deform, solder, or heat battery.
- Do not insert battery with different connector.
- Stop using battery if it expands or if temperature reaches over 40°C or 104°F.
- Do not short circuit battery.

Fiilex

Fiilex.com

1689 Regatta Blvd. Richmond, CA 94804

(510)620-5155 . Fiilex@Fiilex.com

Information and Specifications in this document are subject to change without notice. DiCon Lighting, Inc. assumes no responsibility or liability for any error or inaccuracies that may appear in this manual. Unlawful reproduction or distribution in any manner without the written permission of DiCon Lighting, is strictly prohibited.

© DiCon Lighting 1996-2015 All Rights Reserved