

V360

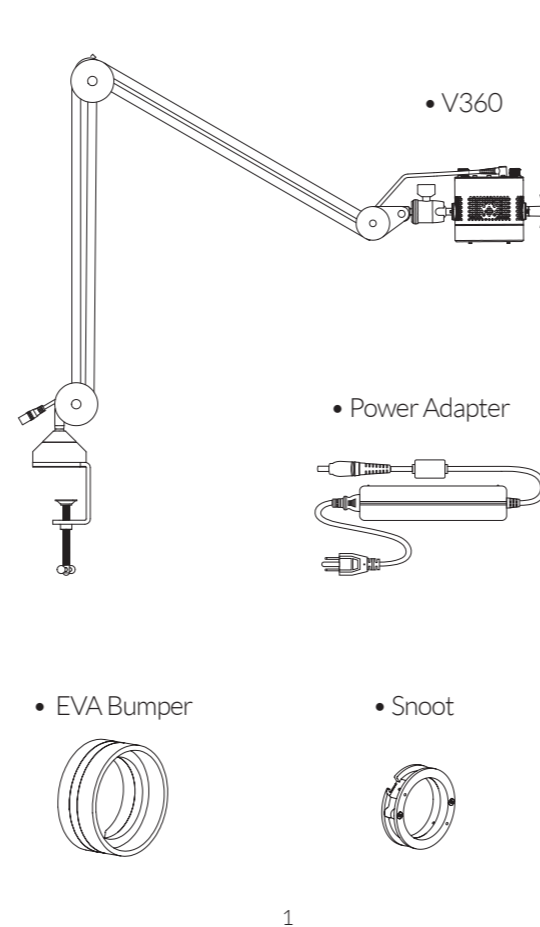
Viewing Task Light

User Manual

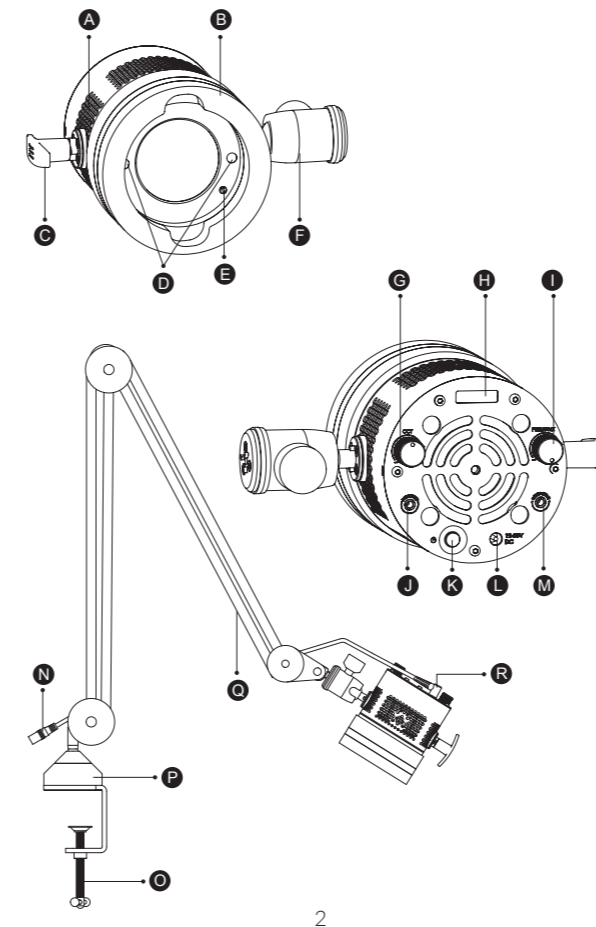
Table of Contents

What's in the Box	1
Light Components	2
Setup and Basic Operation	4
For Your Safety	8
Specifications	9

What's in the Box



Light Components



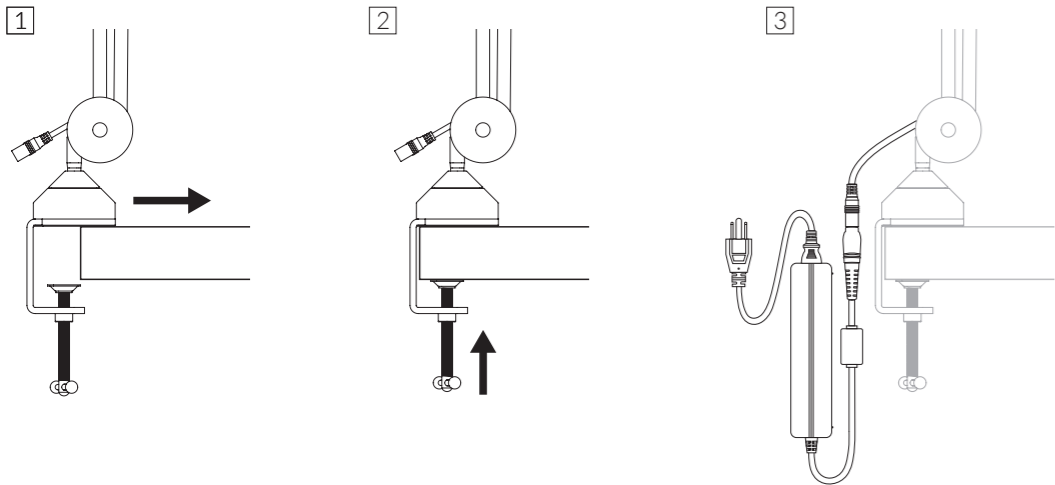
- A Side Vents
- B EVA Bumper
- C Handle
- D Accessory Locking Magnet
- E Accessory Locking Pin
- F Ball Joint
- G CCT Tuning Knob
- H OLED Display
- I Light Intensity / DMX Address Knob
- J Light Control Input Jack
- K On / Off Button
- L DC Power Input Jack
- M Light Control Output Jack
- N Power Cable
- O Clamp Knob
- P Desk Mount
- Q Adjustable Arm
- R DC Power Plug



Setup and Basic Operation

Initial Setup

1. Slide Desk Mount (P) onto the edge of a desk.
2. Turn Clamp Knob (O) clock-wise until it comes into contact with the desk and lock the light in place.
3. Connect to power adapter.



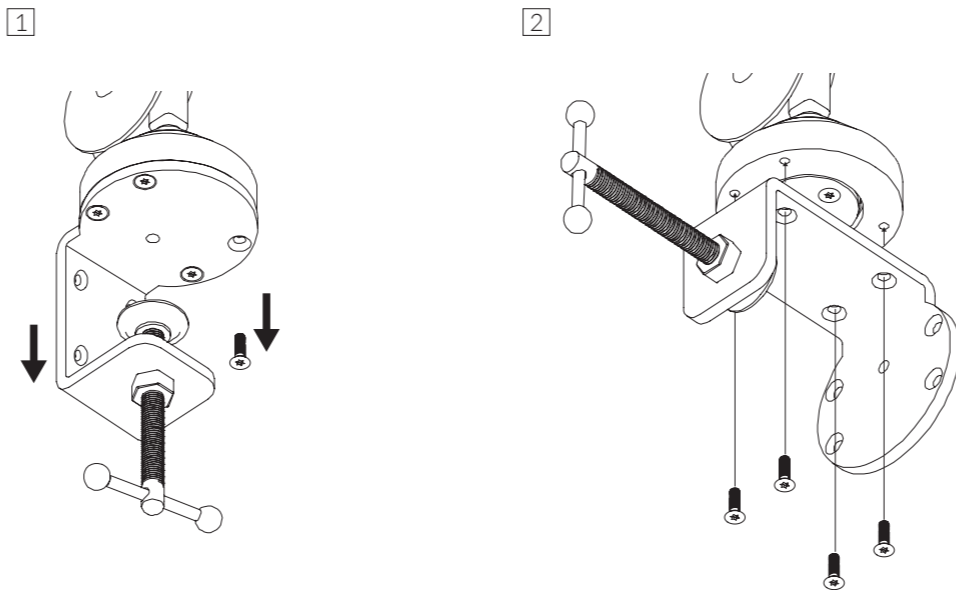
Light Settings

1. Turn CCT Tuning Knob (F) to adjust color temperature (2800-6500K).
2. Turn Intensity Knob (I) to adjust light intensity (0-100%).

4

Changing Clamp Orientation

1. Remove the circular rubber pad that is inside the Desk Mount (P) to reveal screws. Remove screws to detach Desk Mount from V360 base.
2. Rotate the Desk Mount clamp 90° to align the the V360 base with the alternative screw holes. Use the same screws to reattach the Desk Mount with its horizontal orientation.



6

For Your Safety

- Do not attempt to disassemble the body of the V360, doing so will immediately void the factory warranty.
- Do not install the V360 in a damp or wet area.
- Do not submerge V360 in water.
- Do not cover the side or back air vents.
- Only use the included power adapter, failure to do so may cause damage to the LED light.
- Only use a soft, dry towel to gently clean the exterior of the light.
- Before using the light for the first time, remove the protective membranes.

SAVE THESE INSTRUCTIONS

- N'essayez pas de démonter le boîtier du V360, cela annulera immédiatement la garantie d'usine.
- N'installez pas le V360 dans une zone humide ou mouillée.
- Ne pas immerger V360 dans l'eau.
- Ne couvrez pas les ouvertures d'aération latérales ou arrière.
- N'utilisez que l'adaptateur d'alimentation fourni. Si vous ne le faites pas, vous risquez d'endommager le voyant.
- Utilisez uniquement une serviette douce et sèche pour nettoyer délicatement l'extérieur de la lampe.
- Avant d'utiliser la lumière pour la première fois, retirez les membranes de protection.

CONSERVEZ CES INSTRUCTIONS

8

Specifications

Size (without Barndoor)
5.5" x 4.7" x 49"
(arm fully extended) /
140mm x 119mm x 1250mm
(arm fully extended)

LED
Dense Matrix LED

CCT Range
2800-6500K
Continuous Tuning

Power Consumption
90W Max.

Operating Temperature
0° to 40°C / 32° to 104° F

Weight
6.1 lb / 2.78 kg

Thermal Design
Advanced Cooling System

CRI
>93

Power Input
12 to 30 V DC

AC Adapter
100-240V AC, 50/60Hz (In) /
19V DC, 90W max (Out)

Filex v360

DiCon Lighting, Inc.
1689 Regatta Blvd., Richmond, CA 94804
(510)-620-5155 filex@filex.com www.filex.com

This device complies with part 15 of the FCC Rules. Operation is subject to the following two conditions: (1) This device may not cause harmful interference, and (2) this device must accept any interference received, including interference that may cause undesired operation.

Information and Specifications in this document are subject to change without notice. DiCon Lighting, Inc. assumes no responsibility or liability for any error or inaccuracies that may appear in this manual. Unlawful reproduction or distribution in any manner without the written permission of DiCon Lighting, is strictly prohibited.

© DiCon Lighting 1996-2016. All rights reserved.

9