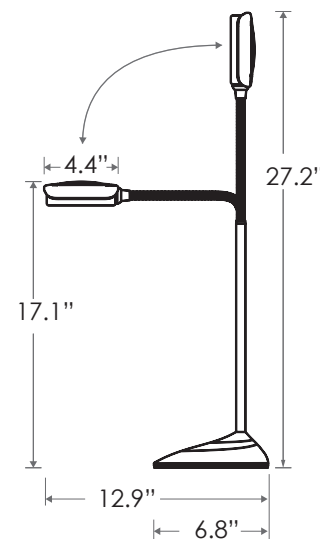


Let Fiilex **V70** LED Viewing Lamp transform your desk into a color viewing workstation. At a fraction of the size and cost of traditional viewing stations, the V70 offers the same clean D50 and D65 light used by professionals to evaluate and compare colors in prints, paints, and fabrics. Its high CRI guarantees that your colors will look beautiful, and four color temperature settings (3000K, 4000K, 5000K, 6500K, accurate to +/- 100K) let you assess your work in a variety of lighting conditions. The V70 includes a low profile Dome Diffuser and is compatible with many other Fiilex accessories, giving you even greater versatility in image viewing. Operated by three touch controls, this sleek lamp allows you to turn the light on/off, dim the light smoothly, and change the color setting. Streamline your color-critical workflow with the V70, the perfect addition to the modern image maker's office.



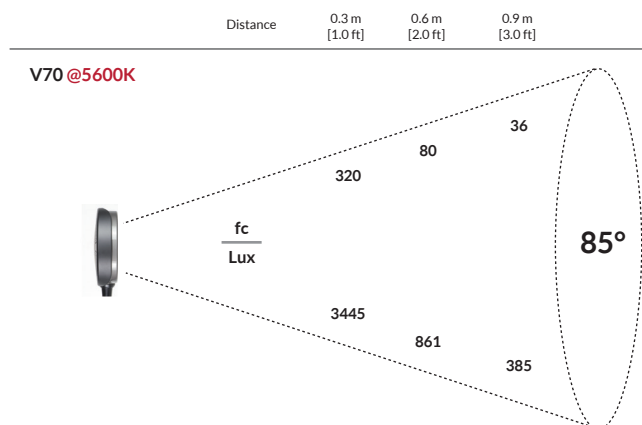
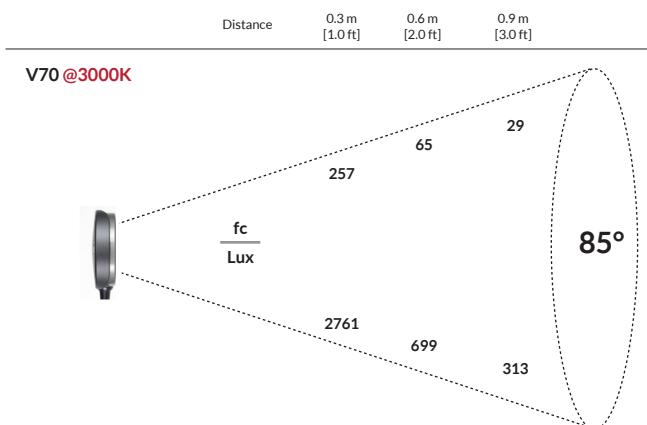
## FEATURES

- High CRI values at every color temperature
- Four Color Settings: 3000K, 4000K, 5000K, 6500K
- >100W tungsten output, 13W power draw
- Does not emit UV light/radiation
- Flicker free dimming with no color shifts
- Intuitive three-zone touch control
- Fan-free cooling for silent operation
- Weighs less than 3lbs
- Compatible with light modifiers
- Designed to illuminate color viewing stations

## SPECIFICATIONS

Beam Angle	85°
CCT Settings	3000K / 4000K / 5000K / 6500K
CRI	95 typical
TLCI	90 typical
Dimming	100% - 20% flicker free
Light Engine	Dense Matrix LED
Power Draw	13W max (100W tungsten equivalent)
DC Input	24V DC
AC Input	100 - 240V AC, 50 ~ 60Hz
Weight	2.76lbs / 1.25kg
Size	W 6.8" x H 27.2"
Thermal Design	Fanless cooling system
Operating Temperature	32° - 104°F / 0° - 40°C

## PHOTOMETRIC DATA



210222A